

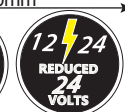
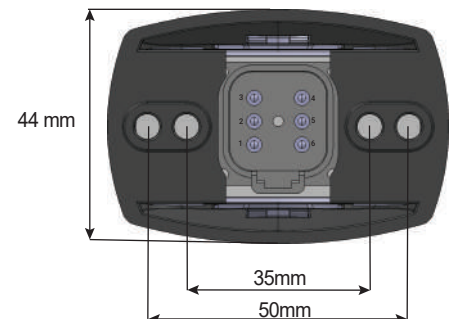
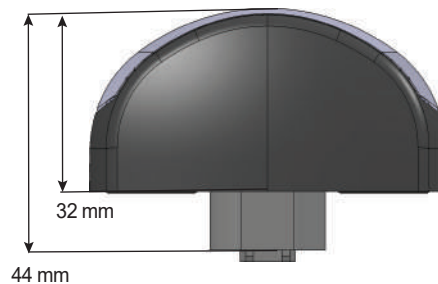
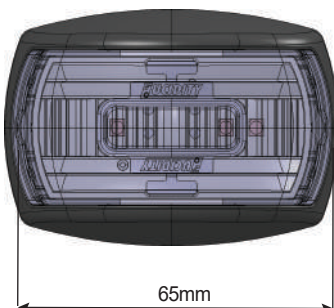
26281CAARK-BV2 LED Multi Function Side Marker & Side Turn Indicator with 6 way Moulded Deutsch Connector



Part No.	Description
26281CAARK-BV2	LED Multi Function Side Marker & Side Turn Indicator with Moulded Deutsch Connector

Features:

- ADR Approved
- Uses Industry Standard DT Type Connectors
- IP67 Rated
- No Wire Splicing Required
- Easily Add Additional Lamps
- 5 year Warranty





69281



67281



Pin Out

- | | |
|-----------------------|-----------------------|
| 1. Park (Brown) | 6. Park (Brown) |
| 2. Earth (White) | 5. Earth (White) |
| 3. Indicator (Yellow) | 4. Indicator (Yellow) |

Part No.	Accessories
67281	Chrome Housing to Suit
67281B	Black Housing to Suit
69281	Rubber Mounting Grommet
3273140	Cable to Suit 26281 6P with 300mm Cable

