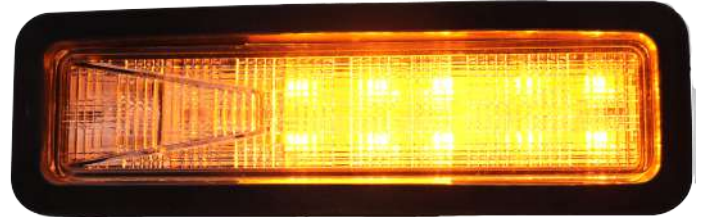


# NEW LED Front Position & Front Turn Indicator Lamp



Off



Indicator On



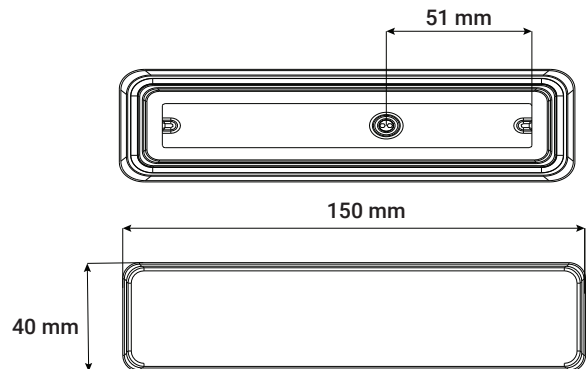
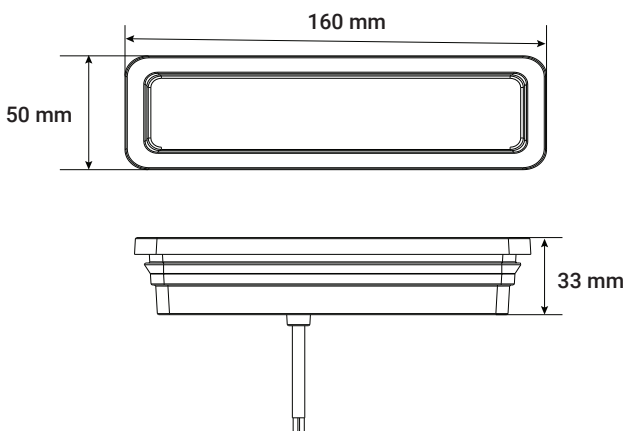
Front Position On



Front Position & Indicator On

| Part No      | Description                                    |
|--------------|--|
| 26170CA-1VBL | LED Front Position & Front Turn Indicator Lamp |

- ADR Approved
- 80V Surge Protection
- 12/24 Dual Voltage
- Heavy Duty Polycarbonate Lens
- IP67 Rated
- 5 Year Warranty



Cut out Dimensions