

NEW

LED Marker Lamps



26289RK-VBL



26289AK-VBL



26289R-V



26289A-V

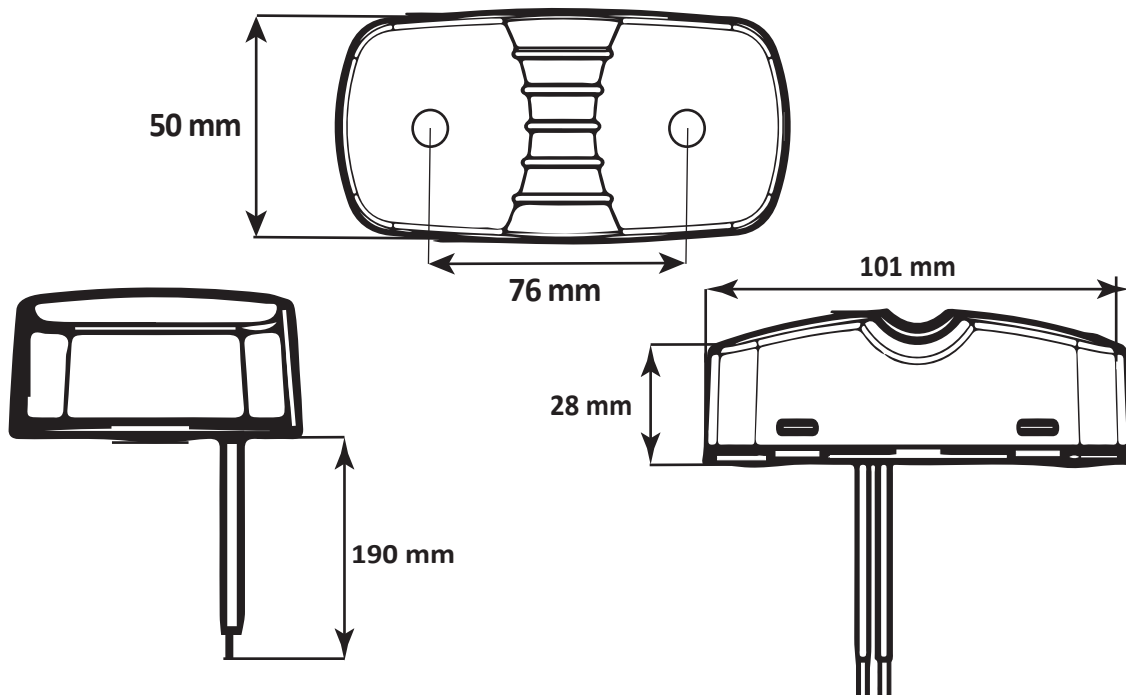


55202

Part No's	Descriptions
26289AK-VBL	Amber Lamp with Chrome Surround (Blister Packed)
26289RK-VBL	Red Lamp with Chrome Surround (Blister Packed)
26289A-V	Amber Lamp
26289R-V	Red Lamp
55202	Chrome Surround

- 12/24 Dual Voltage
- Surface Mount
- Polycarbonate Lens
- Unique Design Prevents Moisture & Dust Build up in the Lens Area
- IP67 Rated Water /Dust Proof
- SAE Approved
- Maintains Traditional 3 Inch Mounting
- 5 Years Warranty

Dimensions



Scan Me
www.lucidityaustralia.com.au