

New Product Release

September 2022

# LED Stop, Tail & Indicator Lamp with Intelligent Load Device



Part No	Description
26022NCAR-1GV	LED Stop, Tail & Indicator Lamp with Intelligent Load Device
<b>Accessories</b>	
136901002021	6 Way Cavity Plug
19972-0125-6	6 Way Dust Cover

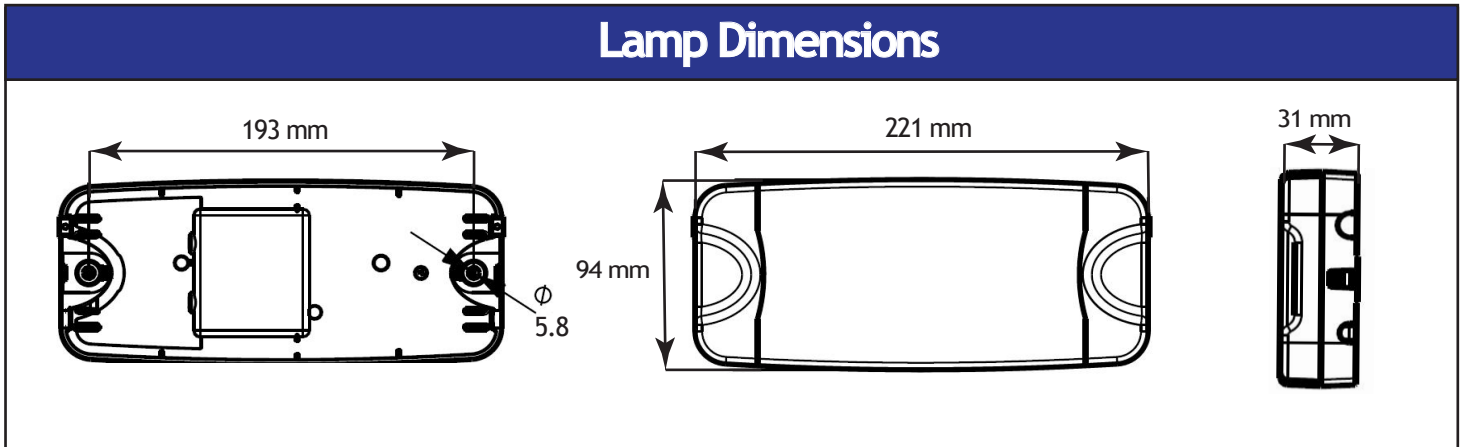
- ADR Approved
- IP67 Rated
- Indicator with Intelligent Load Device
- Heavy Duty Polycarbonate Lens
- 12/24 & Reduced 24V Operation
- 5 Year Warranty



## New Product Release

September 2022

### Lamp Dimensions



### Example of Connecting 2 Lucidity Link Series Lamps



## Accessories



136901002021 - 6 Way Cavity Plug



19972-0125 - 6 Way Dust Cover

