

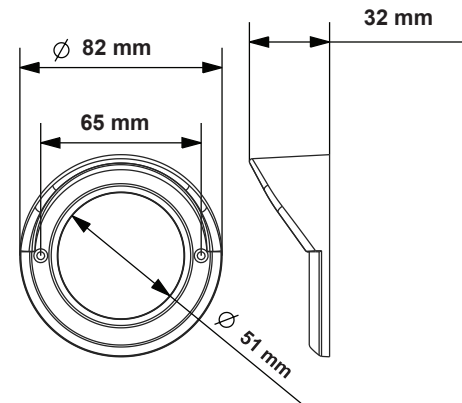
# **NEW** Plastic Chrome Flange Mounting for 2" LED Clearance Lamps



57208



Illustration Only  
Lamp Not Supplied



Part No	Description
57208	2" Chrome Cover with Visor
57209	2" Chrome Cover without Visor



57209

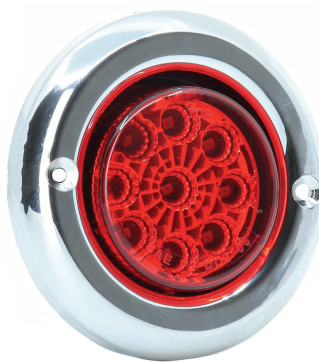


Illustration Only  
Lamp Not Supplied

