

26016 ARP2-BV Twin LED Rear Combination Lamps with Moulded Deutsch Connector



136901002011



26016ARP2-BV



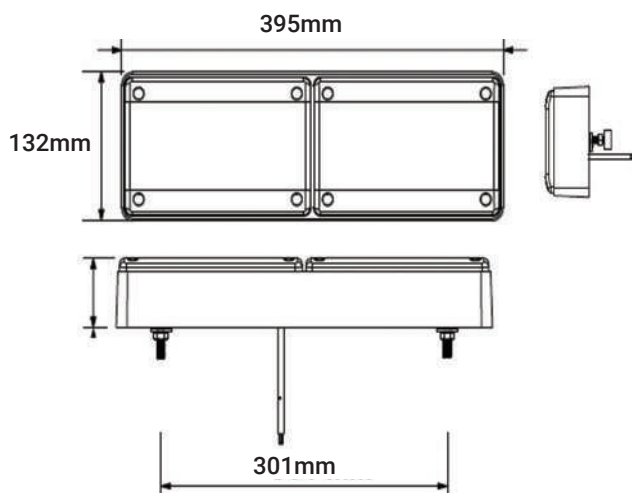
3370168



Power Out	
Pin	Function
1	GND
2	PARK LAMP
3	STOP
4	INDICATOR

Power Out	
Pin	Function
1	PARK LAMP
2	STOP
3	INDICATOR
4	REVERSE
5	NO CONNECTION
6	GND

Power Out	
Pin	Function
1	GND
2	PARK LAMP
3	GND
4	PARK LAMP



Part No.	Voltage	stop	Tail	D.I.	REV	Reflex	Wiring	Packaging
26016ARP2-BV	12-24V	✓	✓			✓	Moulded Deutsch Connectors	Boxed
26007AK-VBL	12-24V						Rear Indicator Insert Only (Amber)	Blister Packed
26007RK-VBL	12-24V						Stop/Tail Insert Only (Red)	Blister Packed
26007CK-VBL	12-24V						Reverse Insert Only (Clear/White)	Blister Packed
3370168							Adaptor Harness Kit to Suit 26016 & 26007	Blister Packed
136901002011							4-Way Cavity Plug	Blister Packed