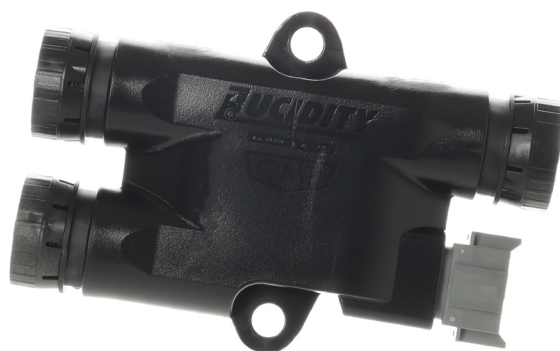


Dual Output Moulded Junction

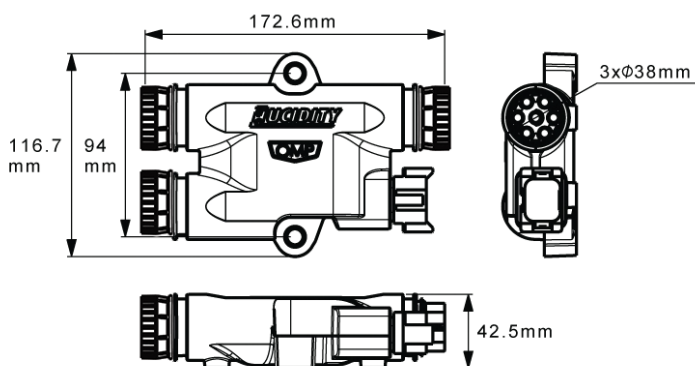
- Replaces the use of conventional Junction Box installations
- IP66 Rated
- Can be fitted to any installation
- No assembly time required
- Pre assembled cables available
- Road Train Capable

ADR42 / AS2513



136231102031

Part No.	136231102031
Description	Dual Output Moulded Junction
Key Features	
Connection Method	Deutsch DT Connectors & 7 Way OMP Connectors
IP Rating	IP66
Dangerous Goods Rated	Yes
Construction	Heavy Duty
Mounting Option	Stauff Clamp
Amperage Rating	Deutsch Connectors 12 Amps at 12 Volts OMP Connectors 30 Amps at 12 Volts



Typical Semi-Trailer Wiring Instruction Connection Diagram / 7 Way

Pin No.	Function	Colour
1	Left Turn	Yellow
2	Reverse	Black
3	Earth (Ground)	White
4	Right Turn	Green
5	Auxiliary	Blue
6	Stop	Red
7	Park	Brown

7 Way

Pin No.	Function	Colour
1	Left Turn	Yellow
2	Reverse	Black
3	Earth (Ground)	White
4	Right Turn	Green
5	Auxiliary	Blue
6	Stop	Red
7	Park	Brown

Part No.	
196408081722	DT06-08SA-E008
19641208172	W8S - SUITS DT06-8S

196408081722

7 Way

Pin No.	Function	Colour
1	Left Turn	Yellow
2	Reverse	Black
3	Earth (Ground)	White
4	Right Turn	Green
5	Auxiliary	Blue
6	Stop	Red
7	Park	Brown

8 Way DT

Pin No.	Function	Colour
1	Left Turn	Yellow
2	Reverse	Black
3	Earth	White
4	Right Turn	Green
5	Auxiliary	Blue
6	Stop	Red
7	Park	Brown
8	Earth (Ground)	White

