

Technical Bulletin Dual Socket Adaptors

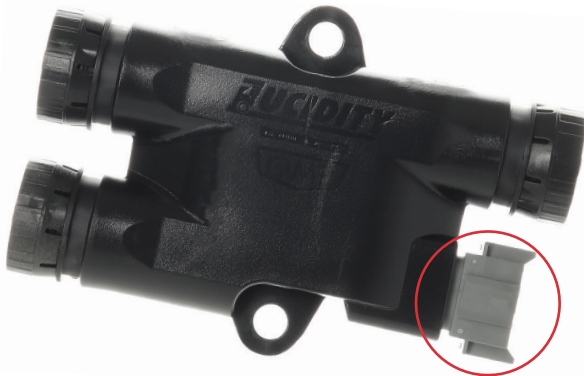
NEW

Supersedes

OLD

Part No. : 62311-3

Part No: Reverse 62311-1



Part No: Auxiliary 62311-2

When replacing *old* with *new* you will need to select one of the below harnesses to suit the function:

Part No. : 3271787 suits Reverse Harness



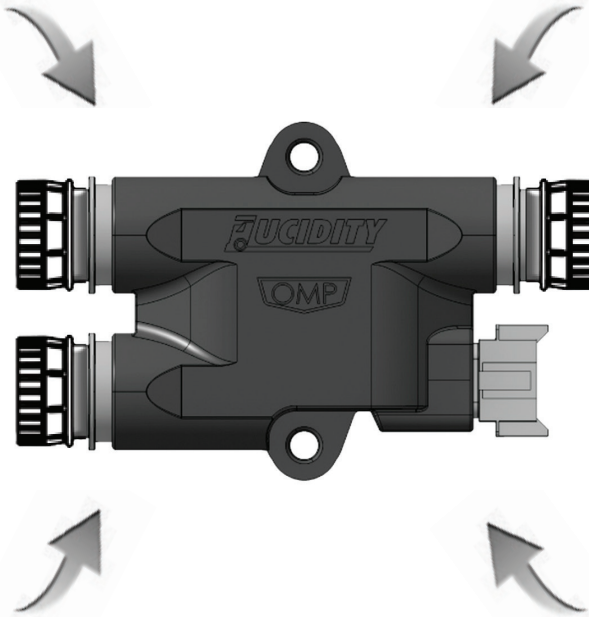
Part No. : 3271788 suits Auxiliary Harness



Typical Semi-Trailer Wiring Instruction

Connection Diagram / 7 Way

Pin Number	Function	Colour
1	Left Turn	Yellow
2	Reverse	Black
3	Earth (Ground)	White
4	Right Turn	Green
5	Auxiliary	Blue
6	Stop	Red
7	Park	Brown



7 Way

Pin Number	Function	Colour
1	Left Turn	Yellow
2	Reverse	Black
3	Earth (Ground)	White
4	Right Turn	Green
5	Auxiliary	Blue
6	Stop	Red
7	Park	Brown

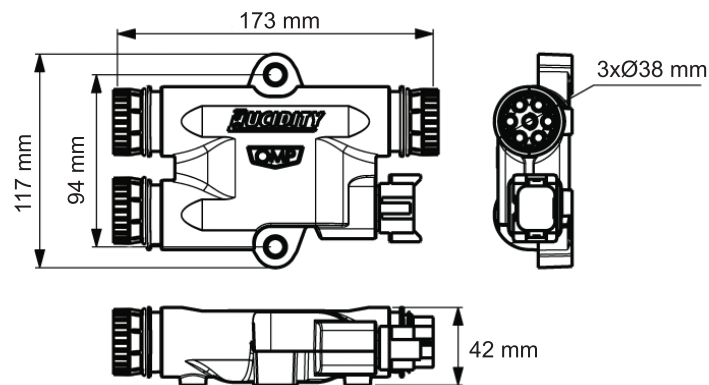
7 Way

Pin Number	Function	Colour
1	Left Turn	Yellow
2	Reverse	Black
3	Earth (Ground)	White
4	Right Turn	Green
5	Auxiliary	Blue
6	Stop	Red
7	Park	Brown

8 Way DT

Pin Number	Function	Colour
1	Left Turn	Yellow
2	Reverse	Black
3	Earth	White
4	Right Turn	Green
5	Auxiliary	Blue
6	Stop	Red
7	Park	Brown
8	Earth (Ground)	White

Part No.	136231102031
Description	Dual Output Moulded Junction
Key Features	
Connection Method	Deutsch DT Connectors & 7 Way OMP Connectors
IP Rating	IP66
Dangerous Goods Rated	Yes
Construction	Heavy Duty
Mounting Option	Stauff Clamp
Amperage Rating	Deutsch Connectors 12 Amps at 12 Volts OMP Con nectors 30 Amps at 12 Volts



Part No.	
196408081722	Housing
19641208172	Wedge



See OMP Catalogue for more information

37 Paraweena Drive
 Truganina, VIC, 3029
 Tel: +61 3 9219 4074
 Email: sales@lucidity-au.com
 www.lucidityaustralia.com.au

Follow Us On Social Media

