

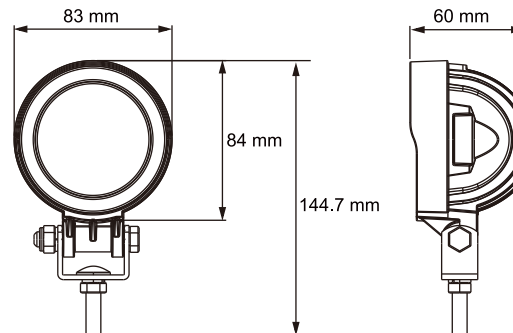
NEW PRODUCT RELEASE

LED WORK LAMP

Part No. 22835BL

Key Features

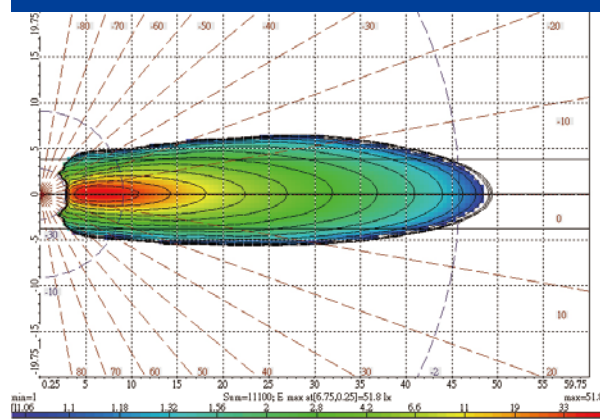
Voltage	9-36 Volts
IP Rating	IP69K
Beam Pattern	Spot Beam
Housing	Aluminium
Mounting Hardware	Stainless Steel
Lens Material	Polycarbonate
Circuit Protection	Reverse Polarity Protected
Watt	11
SMD	4
Lumen	960
HV CD	4000
Current Draw	1.3 Amps at 12 Volts 0.67 Amps at 24 Volts
Connection	280 mm cable built-in Deutsch connector
Weight	666g



Resistant To:

Water	Yes
Dust	Yes
Warpage	Yes
Temperature	-30C to 50C

Spot Beam



All Products Meet Applicable National Standards

Address : 37 Paraweena Drive, Truganina, VIC 3029

Tel: + 61 (03) 9219 4074

Web: www.lucidityaustralia.com.au