
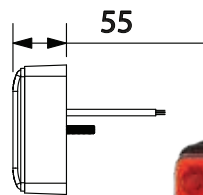
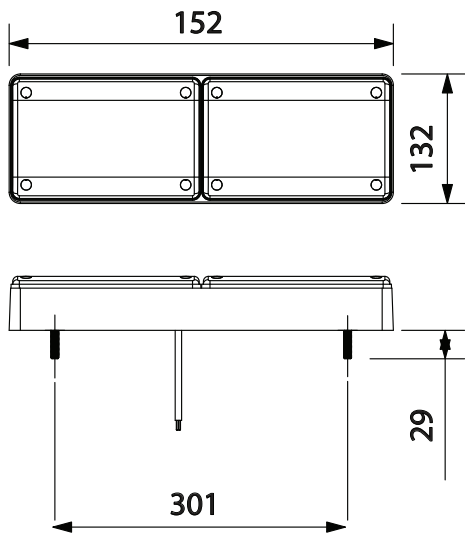


New Product Release

June 2020

26016 LED Rear Combination Lamp

| Part No's | Description |
|-------------|---|
| 26016PAR-BV | Progressive Indicator & Stop/Tail  |
| 26016AR-BV | Indicator & Stop/Tail |



- ADR Approved for Horizontal & Vertical Mounting (Excludes Progressive Indicator for Vertical Mount)
- Operating Voltages - 12V, 24V (European Trucks, Reduced 24V)

- OEM Endorsed
- Enhanced Safety Options
- Security Caps
- IP67 Rated
- 5 Year Warranty