



Our vision, your safety

Integrated Distribution Module Catalogue 2023-2024



Designed &
Made in Australia



www.lucidityaustralia.com.au

GEN 2 Integrated Distribution Module

The Integrated Distribution Module (IDM) is designed and manufactured in Australia, for Australia's harsh transport environment. The Lucidity plug-and-play design is suitable for Dangerous Goods applications. The core engineering principle driving the development of the IDM was to enhance reliability with flexibility and functionality. With 30 years of transport industry expertise, Lucidity once again deliver another innovative solution to the industry.



- Dangerous Goods Rated
- Heavy Duty Construction
- Designed and Manufactured in Australia for Australian Conditions
- Easy to Mount
- Built in Diagnostics

Coming off the success of the IDM Gen 1 in 2020, having been nominated for the HVIA Product Innovation Award and continuing these successes at the 2021 Brisbane Truck Show, the Lucidity R&D team have continued put innovation at the forefront of the business and bring robust electrical solutions to the Australian Transport Industry.

The IDM Gen 2 utilises Lucidity's plug-and-play design and is suitable for Dangerous Goods applications. The core engineering principle driving the development of the IDM Gen 2 was ease-of-use and fault finding. Now offering Built-In Diagnostics, Lucidity once again deliver another innovative solution to the industry.



Integrated Distribution Module



HVIA Product Innovation Award Nominee

Gen 2 - with In Built Diagnostic Leds



3970070Tipper IDM.....page 6

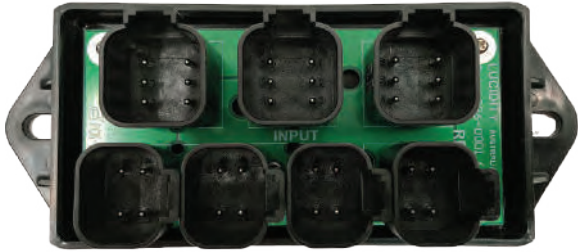


3970073.....Rear IDM.....page 8



3970082.....Tipper IDM ADR 42/5.....page 10

Generation 1:



3970042 Tail Lighting Adaptorpage 12



3970036 Tail Gate Adaptor with Worklight Switch Inputpage 14



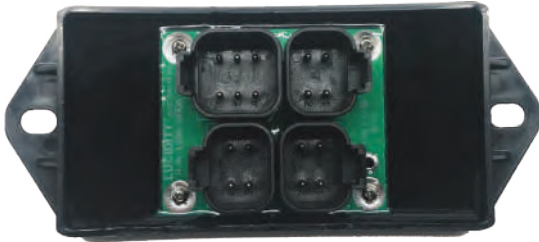
3970045 Rear Bumper Lighting Including Reversepage 16



3970033 4 Way Distributionpage 18



3970028Left or Right Rear Bumper Lighting.....page 20



3970044Left or Right Rear Lighting.....page 22



39700346 Way Distribution.....page 24



3970027Switch Interface.....page 26



3970035Universal Bumper Lighting.....page 28



3970085 Ramp Interface page 30



3970086 Tail gate Tipper page 32



3970069 Rear Lighting page 34



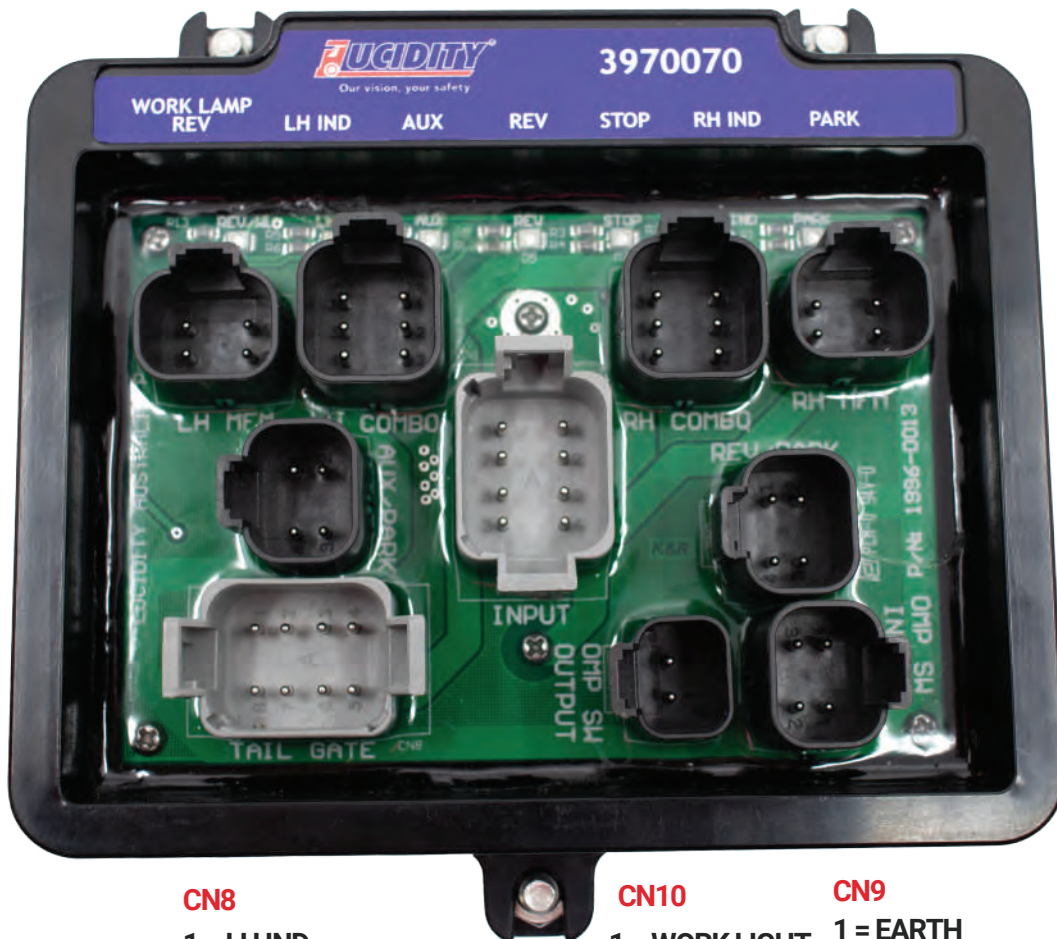
3970088 Front IDM page 36

Part NO. 3970070

Common Applications Tipper IDM

Input

CN4	CN2	CN1	CN3	CN5
1 = EARTH	1 = PARK	1 = LH IND	1 = PARK	1 = EARTH
2 = PARK	2 = STOP	2 = REV	2 = STOP	2 = PARK
3 = LH IND	3 = LEFT IND	3 = EARTH	3 = RH IND	3 = RH IND
4 = EARTH	4 = REV	4 = RH IND	4 = REV	4 = EARTH
	5 = EARTH	5 = AUX	5 = EARTH	
	6 = EARTH	6 = STOP	6 = EARTH	
		7 = PARK		
		8 = EARTH		



CN7
1 = EARTH
2 = PARK
3 = EARTH
4 = AUX

CN6
1 = EARTH
2 = PARK
3 = EARTH
4 = REV

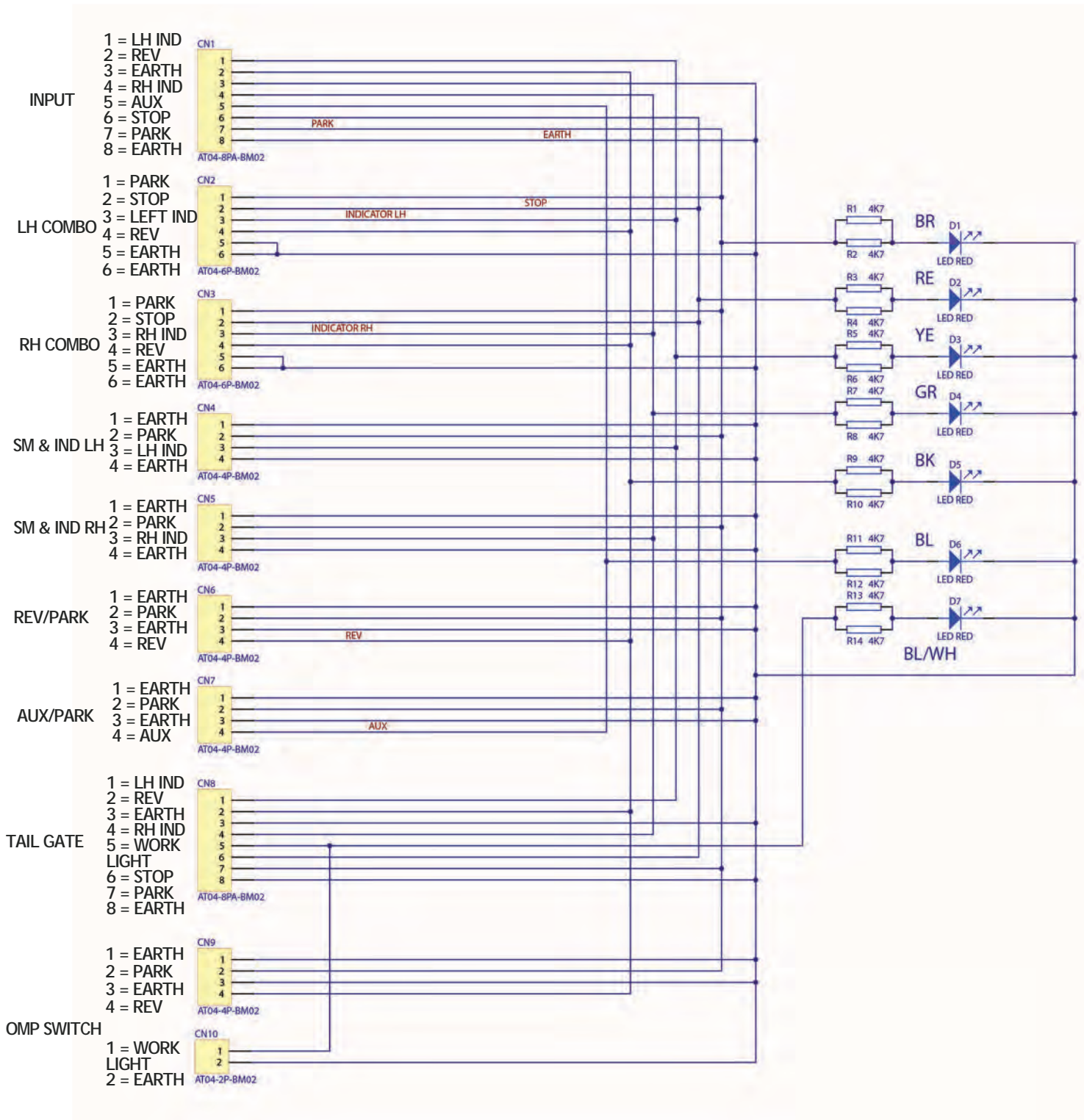
CN8
1 = LH IND
2 = REV
3 = EARTH
4 = RH IND
5 = WORK LIGHT
6 = STOP
7 = PARK
8 = EARTH

CN10
1 = WORK LIGHT
2 = EARTH

CN9
1 = EARTH
2 = PARK
3 = EARTH
4 = REV



PCB Schematic



Part NO.

Common Applications

3970073

Rear IDM

Input

CN3

- 1 = EARTH
- 2 = PARK
- 3 = NC
- 4 = LEFT TURN

CN2

- 1 = PARK
- 2 = STOP
- 3 = LEFT IND
- 4 = REV
- 5 = EARTH
- 6 = EARTH

CN1

- 1 = LH IND
- 2 = REV
- 3 = EARTH
- 4 = RH IND
- 5 = EARTH
- 6 = STOP
- 7 = PARK
- 8 = PARK

CN12

- 1 = PARK
- 2 = STOP
- 3 = RIGHT IND
- 4 = REV
- 5 = EARTH
- 6 = EARTH

CN11

- 1 = EARTH
- 2 = PARK
- 3 = NC
- 4 = RIGHT TURN



CN9

- 1 = EARTH
- 2 = PARK
- 3 = EARTH
- 4 = PARK

CN5

- 1 = EARTH
- 2 = PARK
- 3 = EARTH
- 4 = PARK

CN10

- 1 = SW1
- 2 = PARK
- 3 = SW2
- 4 = PARK

CN13

- 1 = PARK
- 2 = EARTH
- 3 = REV- WL RAMPS
- 4 = AUX BEACON RAMPS

CN6

- 1 = PARK
- 2 = STOP
- 3 = LEFT IND
- 4 = REV
- 5 = AUX
- 6 = EARTH

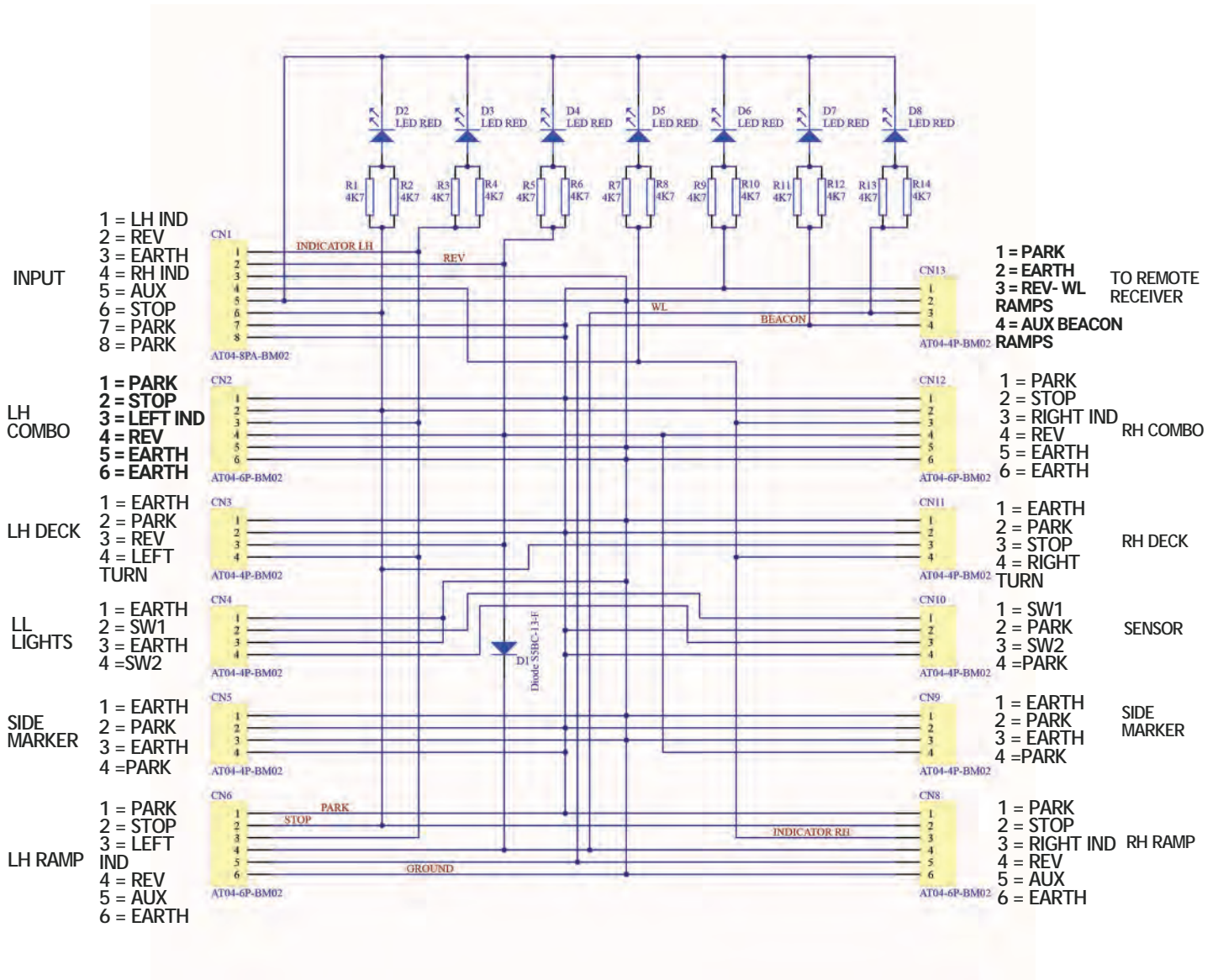
CN8

- 1 = PARK
- 2 = STOP
- 3 = RIGHT IND
- 4 = REV
- 5 = AUX
- 6 = EARTH

CN4

- 1 = EARTH
- 2 = SW1
- 3 = EARTH
- 4 = SW2

PCB Schematic



Part NO.

Common Applications

3970082

Tipper IDM ADR42/5

Input

CN4

- 1 = EARTH
- 2 = LH PARK
- 3 = LH IND
- 4 = EARTH

CN2

- 1 = LH PARK
- 2 = STOP
- 3 = LEFT IND
- 4 = REV
- 5 = EARTH
- 6 = EARTH

CN1

- 1 = LH IND
- 2 = REV
- 3 = EARTH
- 4 = RH IND
- 5 = LH PARK
- 6 = STOP
- 7 = RH PARK
- 8 = EARTH

CN3

- 1 = RH PARK
- 2 = STOP
- 3 = RH IND
- 4 = REV
- 5 = EARTH
- 6 = EARTH

CN5

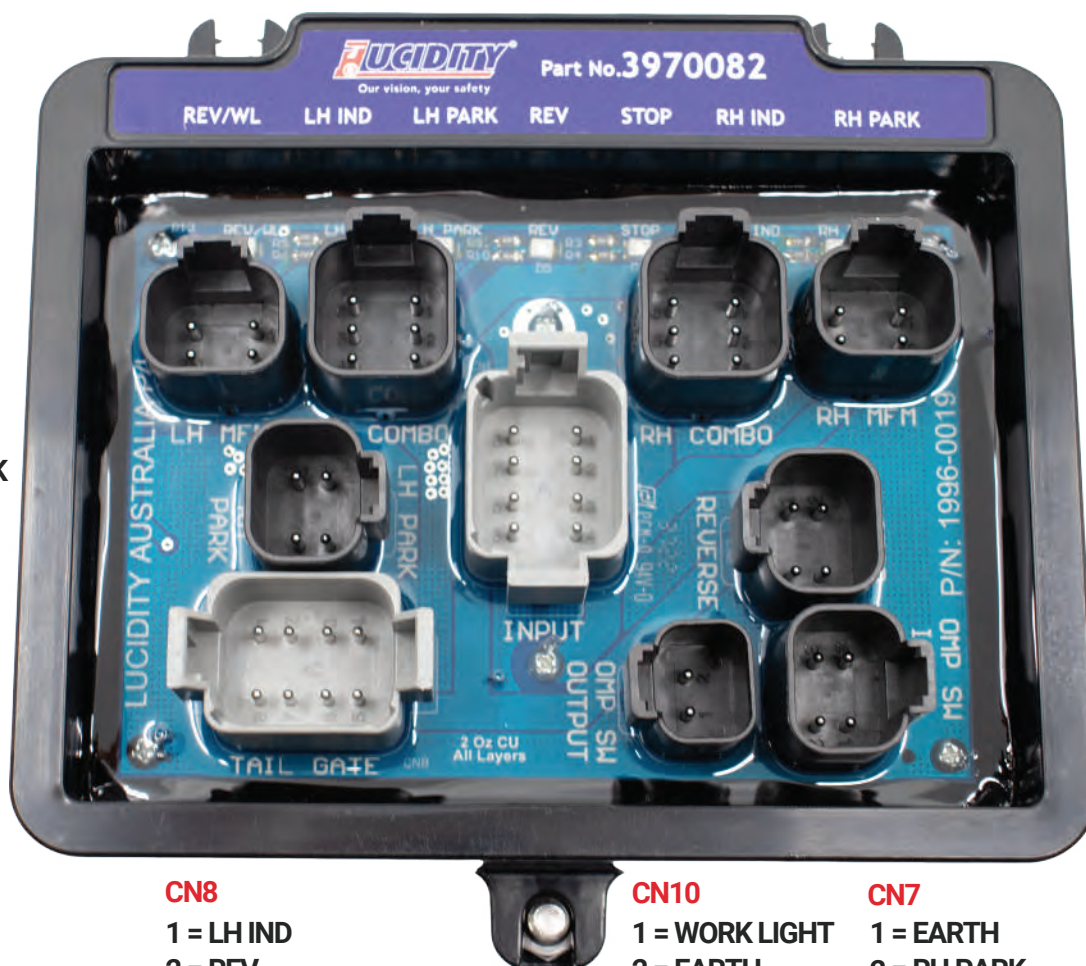
- 1 = EARTH
- 2 = RH PARK
- 3 = RH IND
- 4 = EARTH

CN9

- 1 = EARTH
- 2 = RH PARK
- 3 = EARTH
- 4 = REV

CN6

- 1 = EARTH
- 2 = STOP
- 3 = EARTH
- 4 = REV



CN8

- 1 = LH IND
- 2 = REV
- 3 = LH PARK
- 4 = RH IND
- 5 = WORK LIGHT
- 6 = STOP
- 7 = RH PARK
- 8 = EARTH

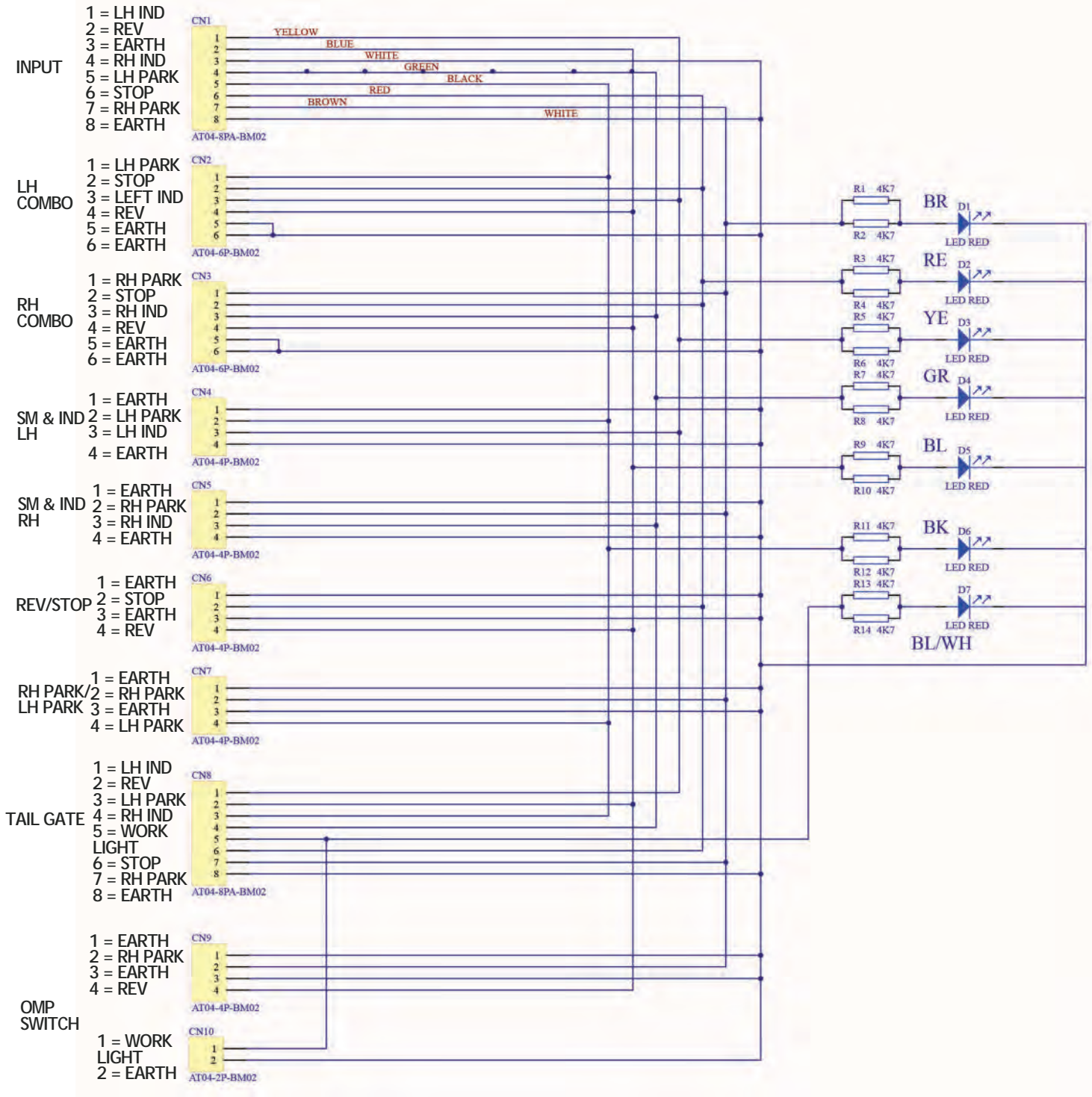
CN10

- 1 = WORK LIGHT
- 2 = EARTH

CN7

- 1 = EARTH
- 2 = RH PARK
- 3 = EARTH
- 4 = LH PARK

PCB Schematic



Part NO. 3970042

Common Applications Tail Lighting Adaptor

Input

CN3

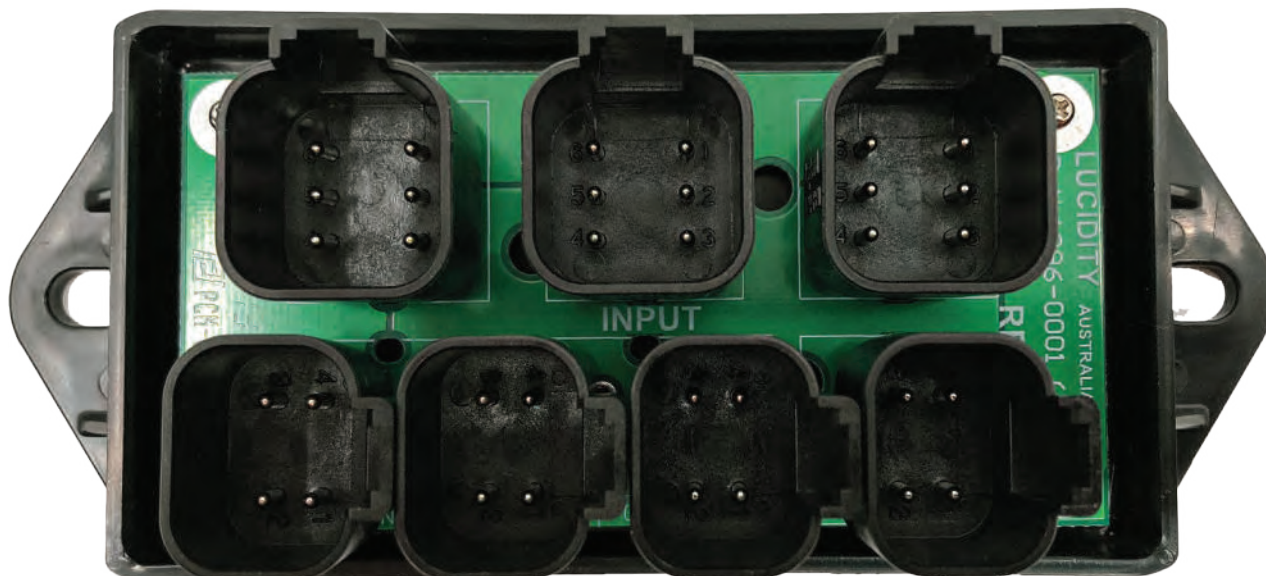
- 1 = PARK
- 2 = STOP
- 3 = LEFT INDICATOR
- 4 = REVERSE
- 5 = NC
- 6 = GROUND

CN1

- 1 = PARK
- 2 = STOP
- 3 = RIGHT INDICATOR
- 4 = REVERSE
- 5 = NC
- 6 = GROUND

CN2

- 1 = PARK
- 2 = STOP
- 3 = RIGHT INDICATOR
- 4 = REVERSE
- 5 = NC
- 6 = GROUND



CN7

- 1 = GROUND
- 2 = STOP
- 3 = REVERSE
- 4 = STOP

CN6

- 1 = GROUND
- 2 = STOP
- 3 = REVERSE
- 4 = STOP

CN5

- 1 = GROUND
- 2 = STOP
- 3 = REVERSE
- 4 = STOP

CN4

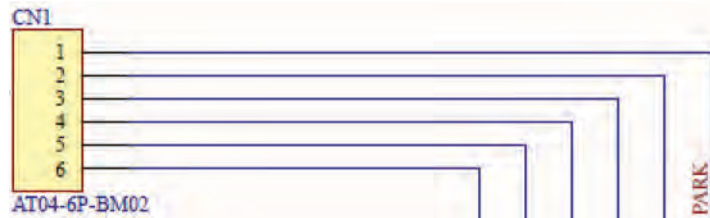
- 1 = GROUND
- 2 = STOP
- 3 = REVERSE
- 4 = STOP



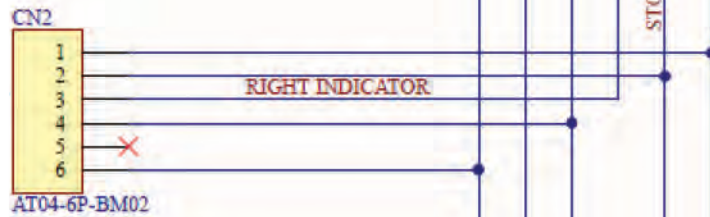
PCB Schematic



- 1 = Park
- 2 = Stop
- 3 = Right Indicator
- 4 = Reverse
- 5 = Left Indicator
- 6 = Ground



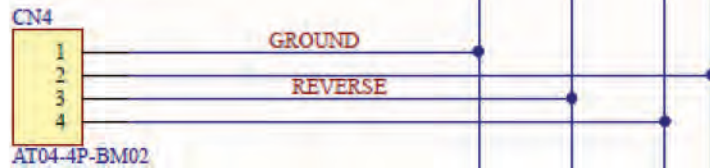
- 1 = Park
- 2 = Stop
- 3 = Right Indicator
- 4 = Reverse
- 5 = NC
- 6 = Ground



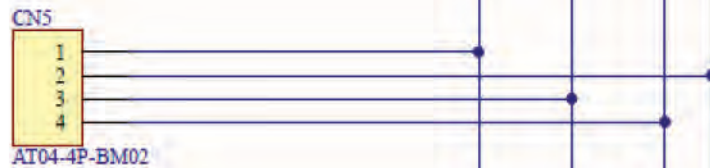
- 1 = Park
- 2 = Stop
- 3 = Left Indicator
- 4 = Reverse
- 5 = NC
- 6 = Ground



- 1 = Ground
- 2 = Park
- 3 = Reverse
- 4 = Stop



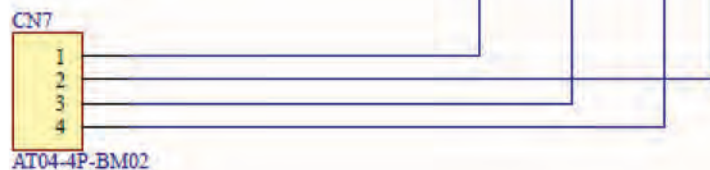
- 1 = Ground
- 2 = Park
- 3 = Reverse
- 4 = Stop



- 1 = Ground
- 2 = Park
- 3 = Reverse
- 4 = Stop



- 1 = Ground
- 2 = Park
- 3 = Reverse
- 4 = Stop



Part NO.
3970036

Common Applications
Tail Gate Adaptor with Worklight
Switch Input

CN3

- 1 = PARK
- 2 = STOP
- 3 = RIGHT INDICATOR
- 4 = REVERSE
- 5 = NC
- 6 = GROUND

CN2

- 1 = PARK
- 2 = STOP
- 3 = RIGHT INDICATOR
- 4 = REVERSE
- 5 = LEFT INDICATOR
- 6 = GROUND

Input

CN1

- 1 = PARK
- 2 = STOP
- 3 = RIGHT INDICATOR
- 4 = REVERSE
- 5 = LEFT INDICATOR
- 6 = GROUND



CN4

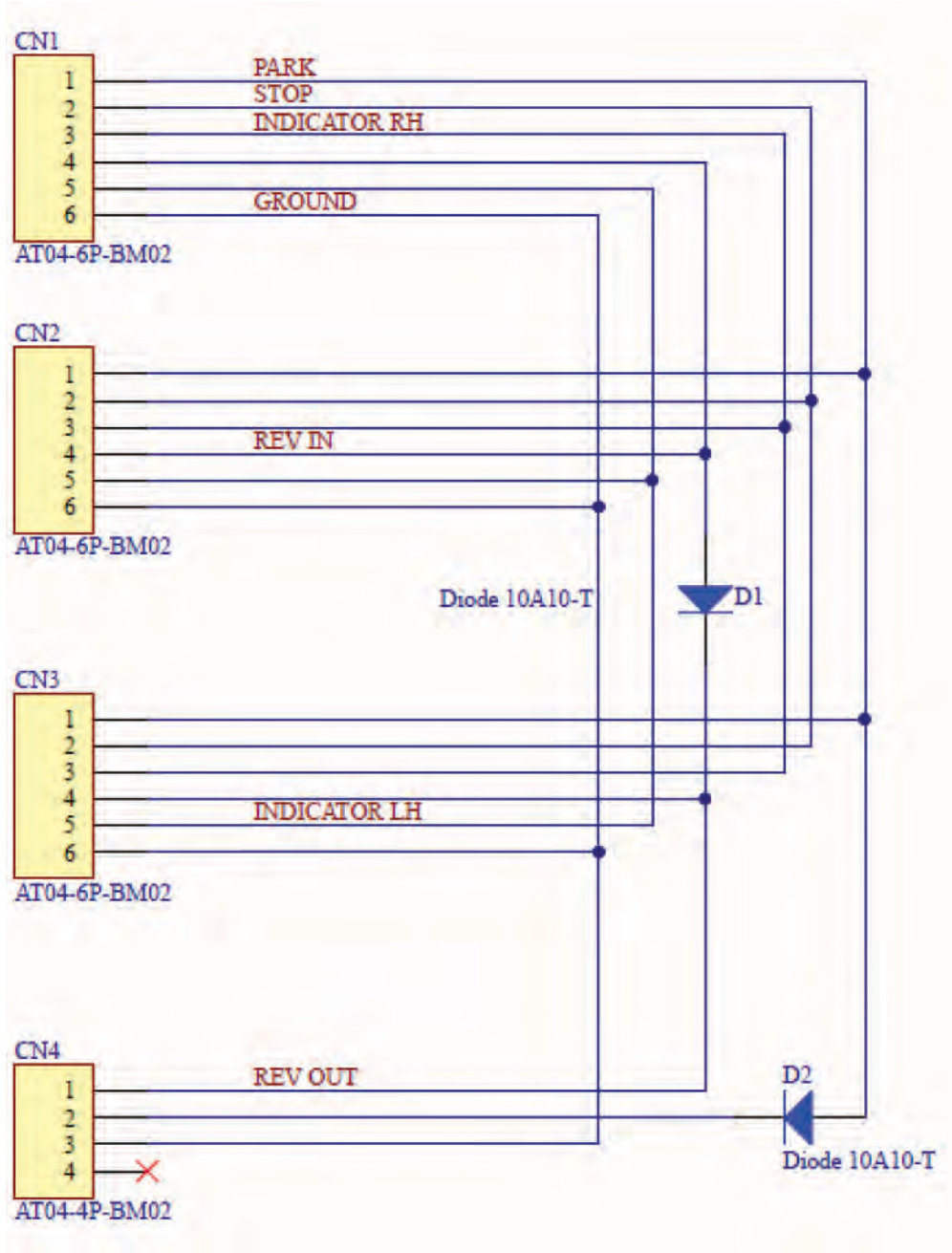
- 1 = REVERSE
- 2 = PARK
- 3 = GROUND
- 4 = NC





PCB Schematic

- 1 = Park
- 2 = Stop
- 3 = Right Indicator
- 4 = Reverse
- 5 = Left Indicator
- 6 = Ground



- 1 = Park
- 2 = Stop
- 3 = Right Indicator
- 4 = Reverse
- 5 = Left Indicator
- 6 = Ground

- 1 = Park
- 2 = Stop
- 3 = Right Indicator
- 4 = Reverse
- 5 = Left Indicator
- 6 = Ground

- 1 = Reverse
- 2 = Park
- 3 = Ground
- 4 = NC

NOTES:
When using OMP switch 4 way DT to 4 way DT, have the DT 2 way on the switch output with pins 1 & 2 linked together so output is fed back through 4 way DT.

Part NO. 3970045

Common Applications Rear Bumper Lighting Including Reverse

Input

CN3

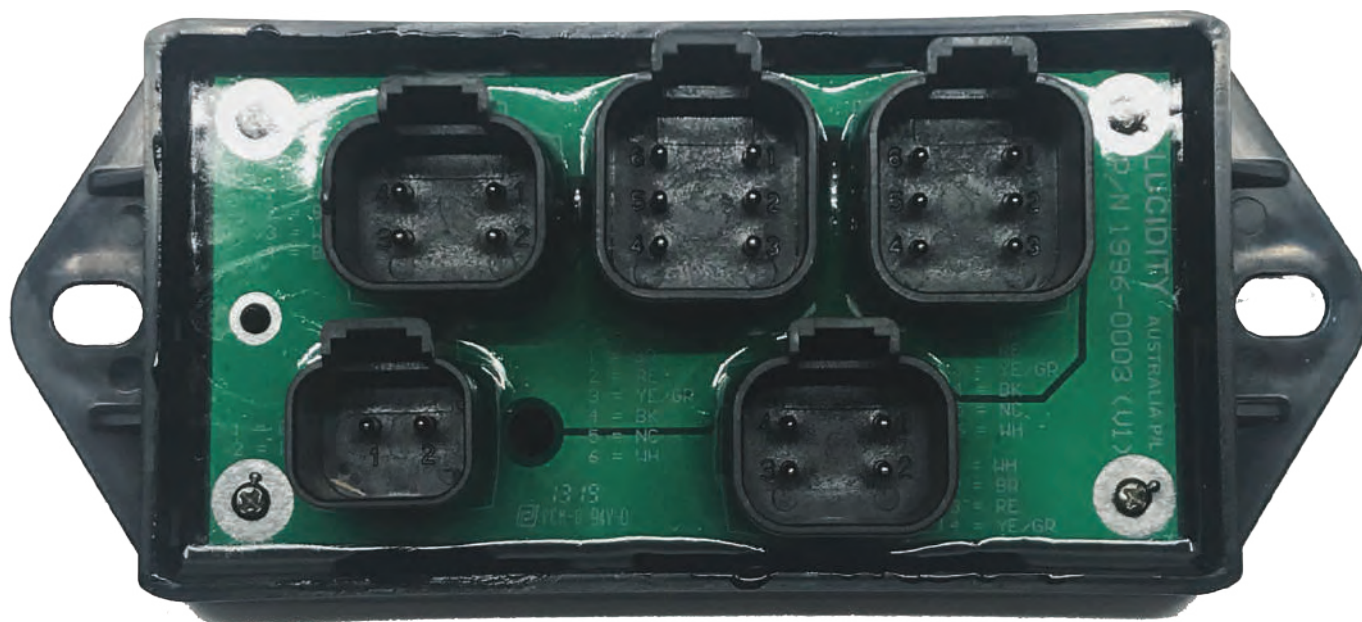
- 1 = GROUND
- 2 = PARK
- 3 = GROUND
- 4 = PARK

CN1

- 1 = PARK
- 2 = STOP
- 3 = INDICATOR
- 4 = REVERSE
- 5 = NC
- 6 = GROUND

CN2

- 1 = PARK
- 2 = STOP
- 3 = INDICATOR
- 4 = REVERSE
- 5 = NC
- 6 = GROUND



CN5

- 1 = REVERSE
- 2 = GROUND

CN4

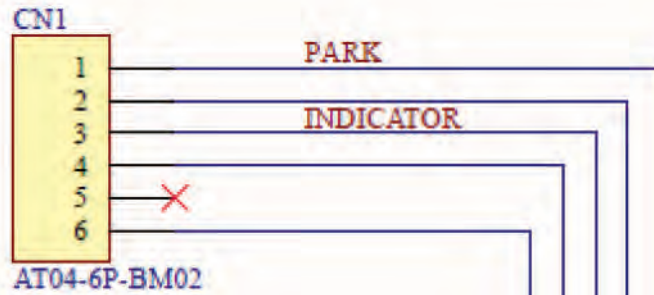
- 1 = GROUND
- 2 = PARK
- 3 = STOP
- 4 = INDICATOR



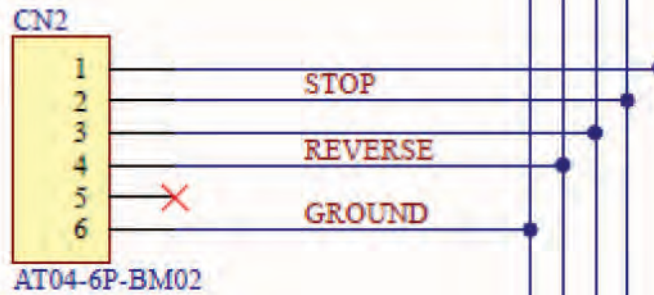
PCB Schematic



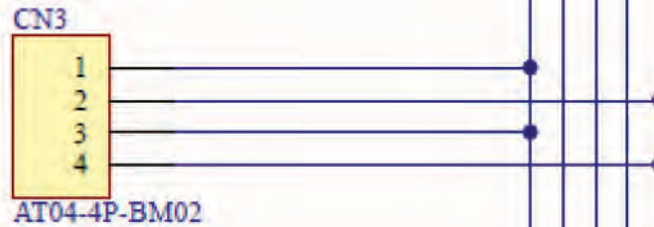
- 1 = Park
- 2 = Stop
- 3 = Indicator
- 4 = Reverse
- 5 = NC
- 6 = Ground



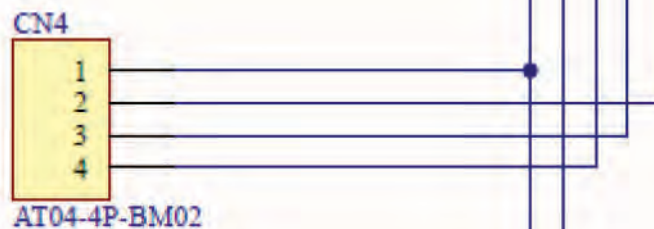
- 1 = Park
- 2 = Stop
- 3 = Indicator
- 4 = Reverse
- 5 = NC
- 6 = Ground



- 1 = Ground
- 2 = Park
- 3 = Ground
- 4 = Park



- 1 = Ground
- 2 = Park
- 3 = Stop
- 4 = Indicator



- 1 = Reverse
- 2 = Ground



Part NO.

Common Applications

3970033

4 Way Distribution

CN1

- 1 = GROUND
- 2 = PARK
- 3 = INDICATOR
- 4 = STOP

CN2

- 1 = GROUND
- 2 = PARK
- 3 = INDICATOR
- 4 = STOP

CN3

- 1 = GROUND
- 2 = PARK
- 3 = INDICATOR
- 4 = STOP



CN6

- 1 = GROUND
- 2 = PARK
- 3 = INDICATOR
- 4 = STOP

CN5

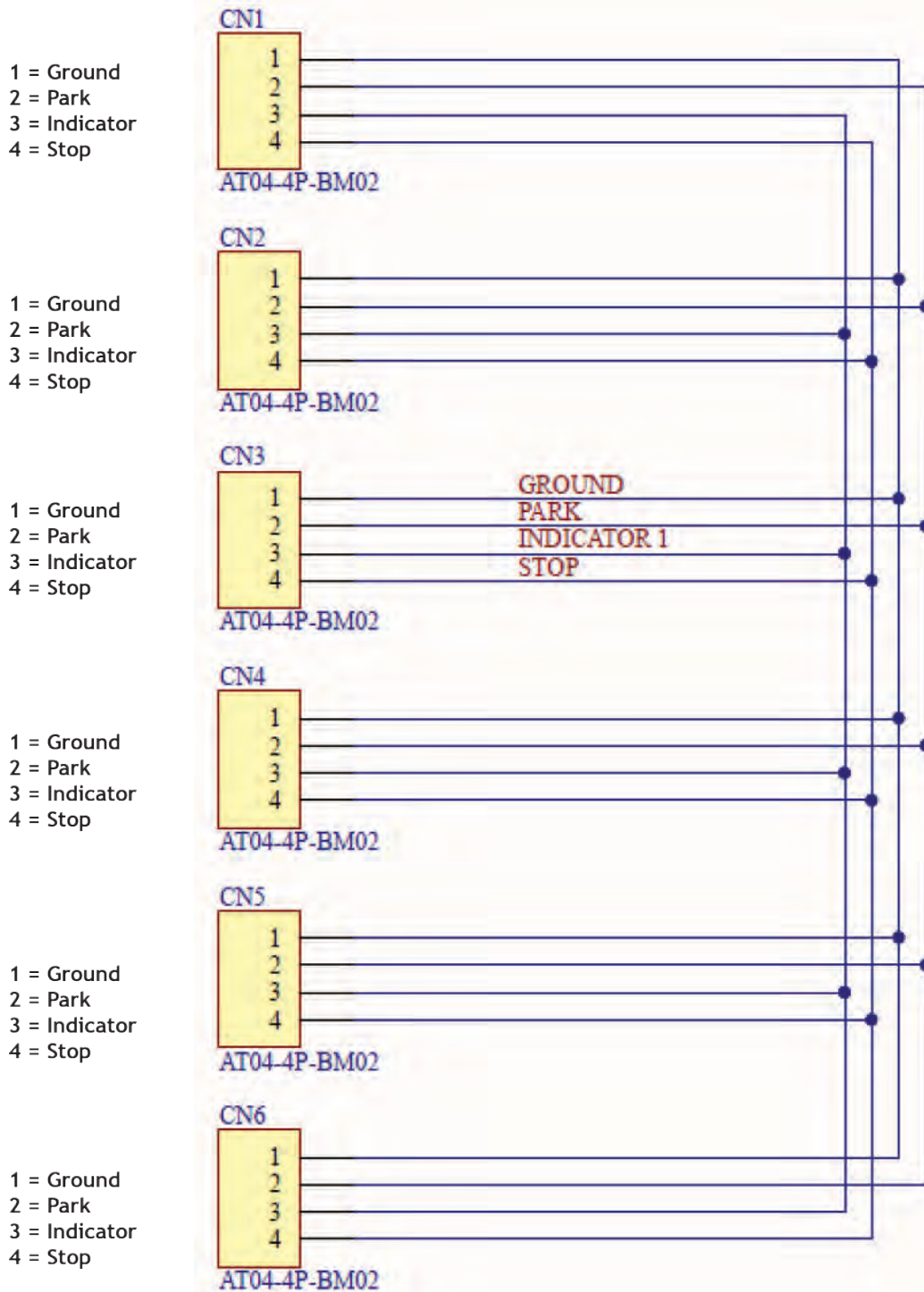
- 1 = GROUND
- 2 = PARK
- 3 = INDICATOR
- 4 = STOP

CN4

- 1 = GROUND
- 2 = PARK
- 3 = INDICATOR
- 4 = STOP



PCB Schematic



Part NO.

3970028

Common Applications

Left or Right Rear Bumper Lighting

Input

CN1

- 1 = PARK
- 2 = STOP
- 3 = INDICATOR
- 4 = REVERSE
- 5 = AUX
- 6 = GROUND

CN2

- 1 = GROUND
- 2 = PARK
- 3 = AUX
- 4 = REVERSE

CN3

- 1 = GROUND
- 2 = PARK
- 3 = INDICATOR
- 4 = STOP

CN4

- 1 = GROUND
- 2 = PARK
- 3 = INDICATOR
- 4 = STOP



CN7

- 1 = PARK
- 2 = GROUND

CN6

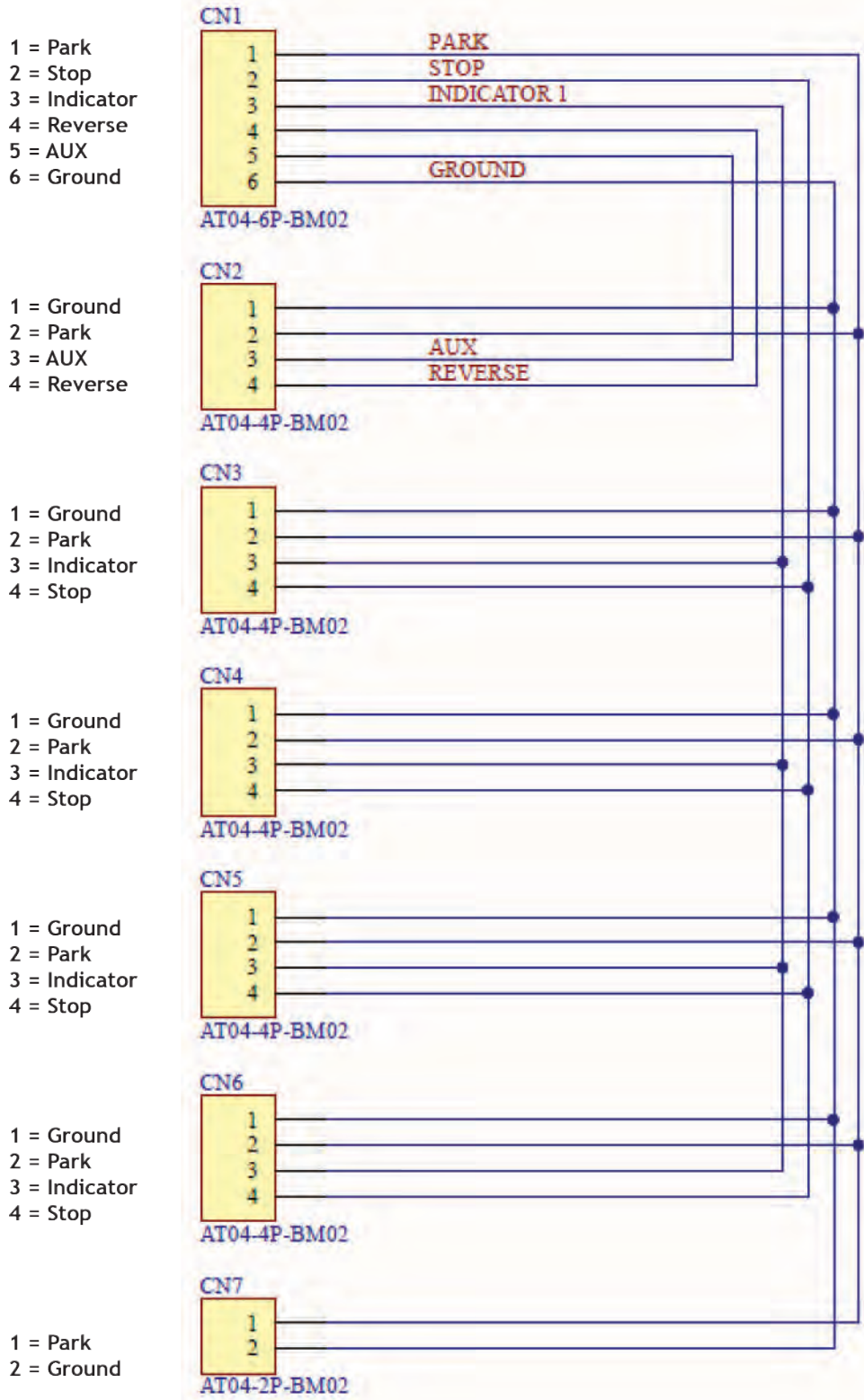
- 1 = GROUND
- 2 = PARK
- 3 = INDICATOR
- 4 = STOP

CN5

- 1 = GROUND
- 2 = PARK
- 3 = INDICATOR
- 4 = STOP



PCB Schematic



Part NO.

3970044

Common Applications

Left or Right Rear Bumper Lighting

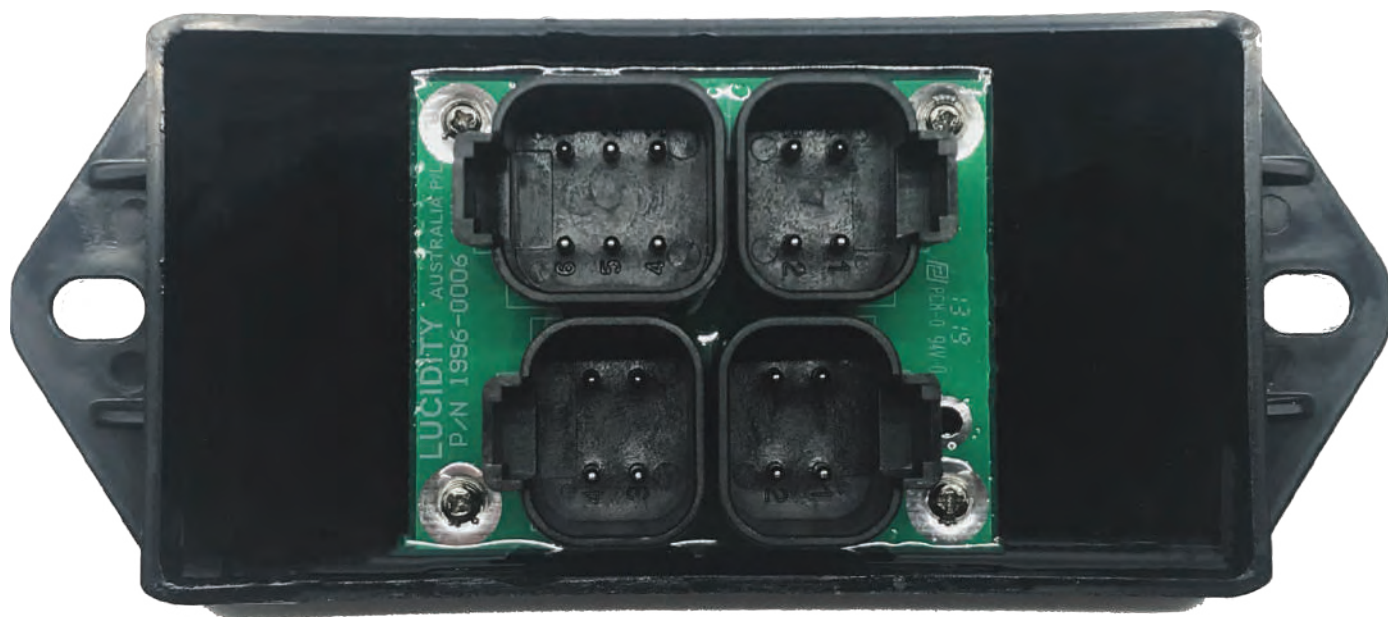
Input

CN1

- 1 = PARK
- 2 = STOP
- 3 = INDICATOR
- 4 = NC
- 5 = NC
- 6 = GROUND

CN3

- 1 = GROUND
- 2 = PARK
- 3 = STOP
- 4 = INDICATOR



CN4

- 1 = GROUND
- 2 = PARK
- 3 = NC
- 4 = NC

CN2

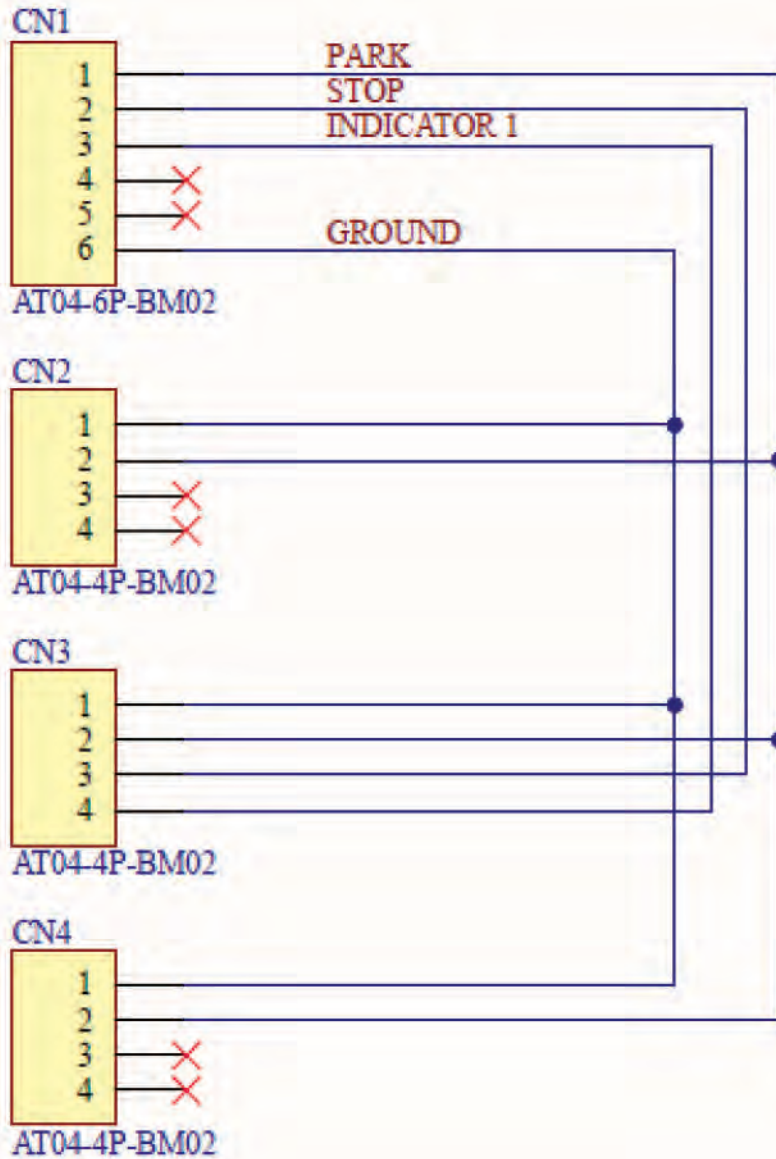
- 1 = GROUND
- 2 = PARK
- 3 = NC
- 4 = NC



PCB Schematic



- 1 = Park
- 2 = Stop
- 3 = Indicator
- 4 = NC
- 5 = NC
- 6 = Ground



- 1 = Ground
- 2 = Park
- 3 = NC
- 4 = NC

- 1 = Ground
- 2 = Park
- 3 = Stop
- 4 = Indicator

- 1 = Ground
- 2 = Park
- 3 = NC
- 4 = NC

Part NO.

Common Applications

3970034

6 Way Distribution

CN1

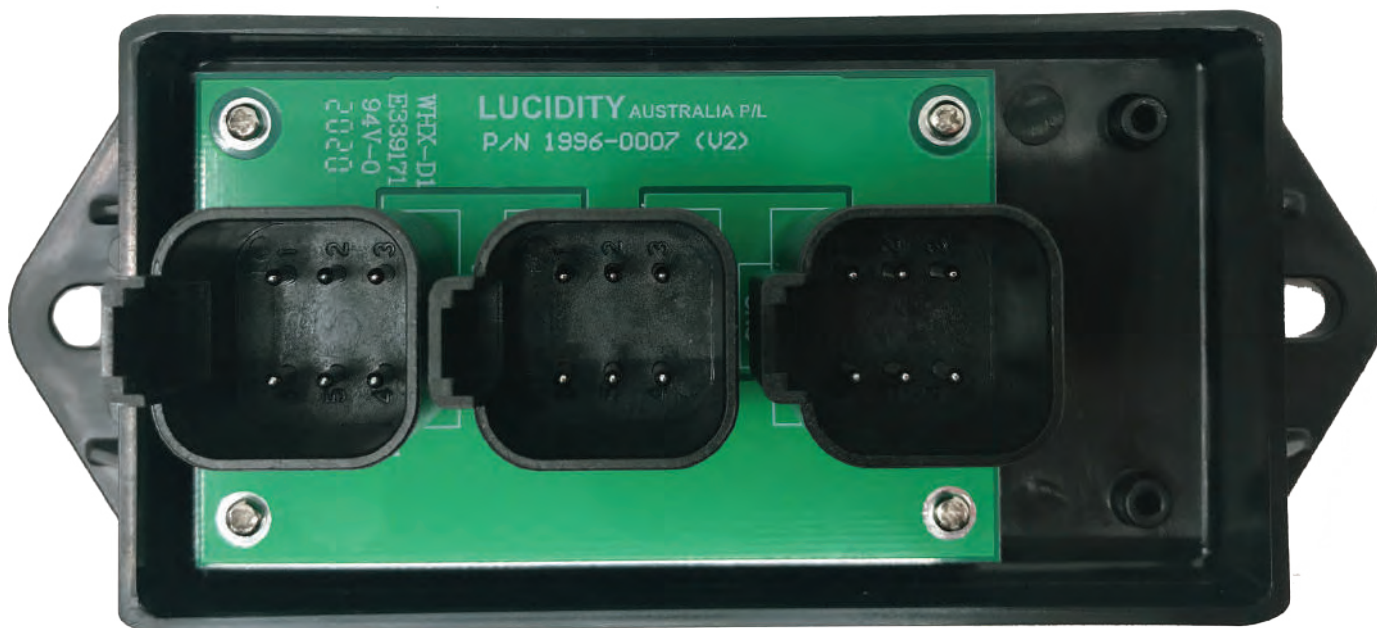
- 1 = PARK
- 2 = STOP
- 3 = RIGHT INDICATOR
- 4 = REVERSE
- 5 = LEFT INDICATOR
- 6 = GROUND

CN2

- 1 = PARK
- 2 = STOP
- 3 = RIGHT INDICATOR
- 4 = REVERSE
- 5 = LEFT INDICATOR
- 6 = GROUND

CN3

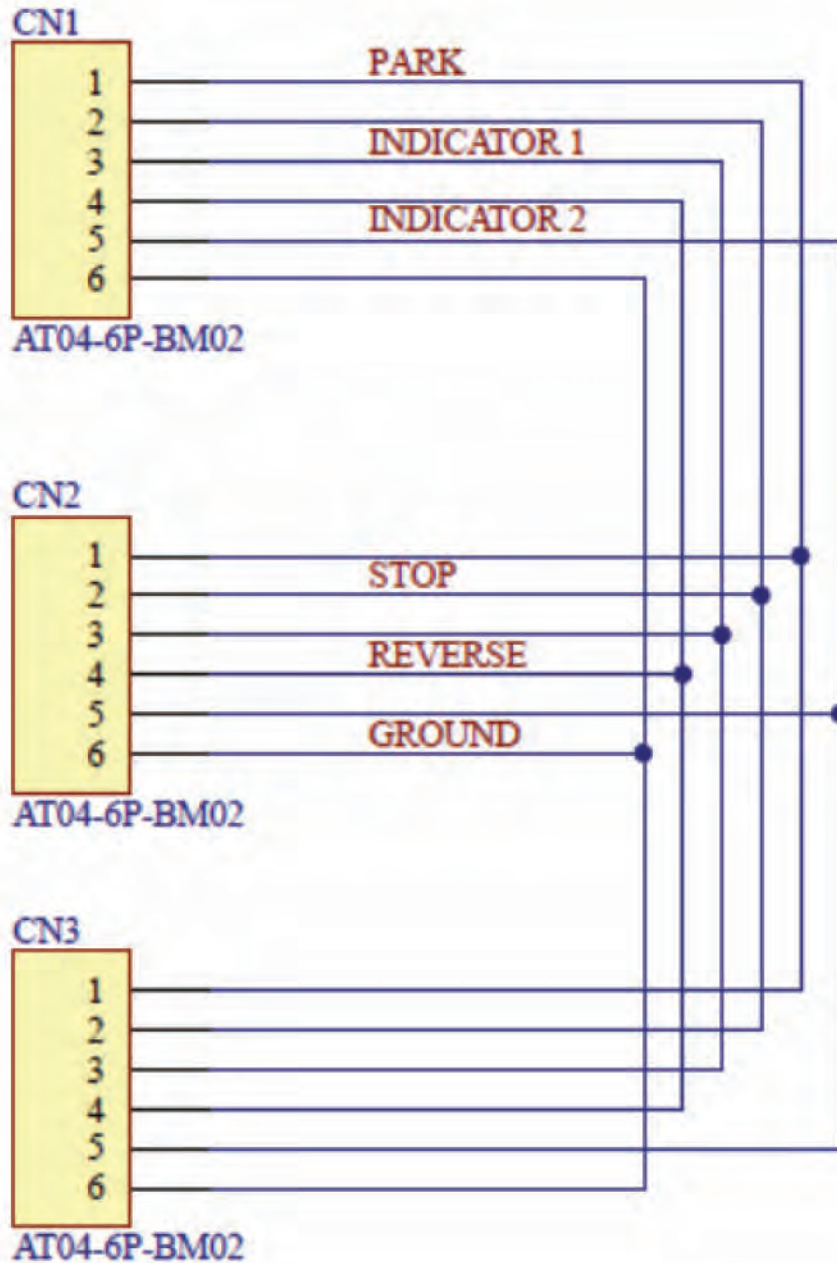
- 1 = PARK
- 2 = STOP
- 3 = RIGHT INDICATOR
- 4 = REVERSE
- 5 = LEFT INDICATOR
- 6 = GROUND



PCB Schematic



- 1 = Park
- 2 = Stop
- 3 = Right Indicator
- 4 = Reverse
- 5 = Left Indicator
- 6 = Ground



- 1 = Park
- 2 = Stop
- 3 = Right Indicator
- 4 = Reverse
- 5 = Left Indicator
- 6 = Ground

- 1 = Park
- 2 = Stop
- 3 = Right Indicator
- 4 = Reverse
- 5 = Left Indicator
- 6 = Ground

Part NO.

3970027

Common Applications

Switch Interface

Input

CN3

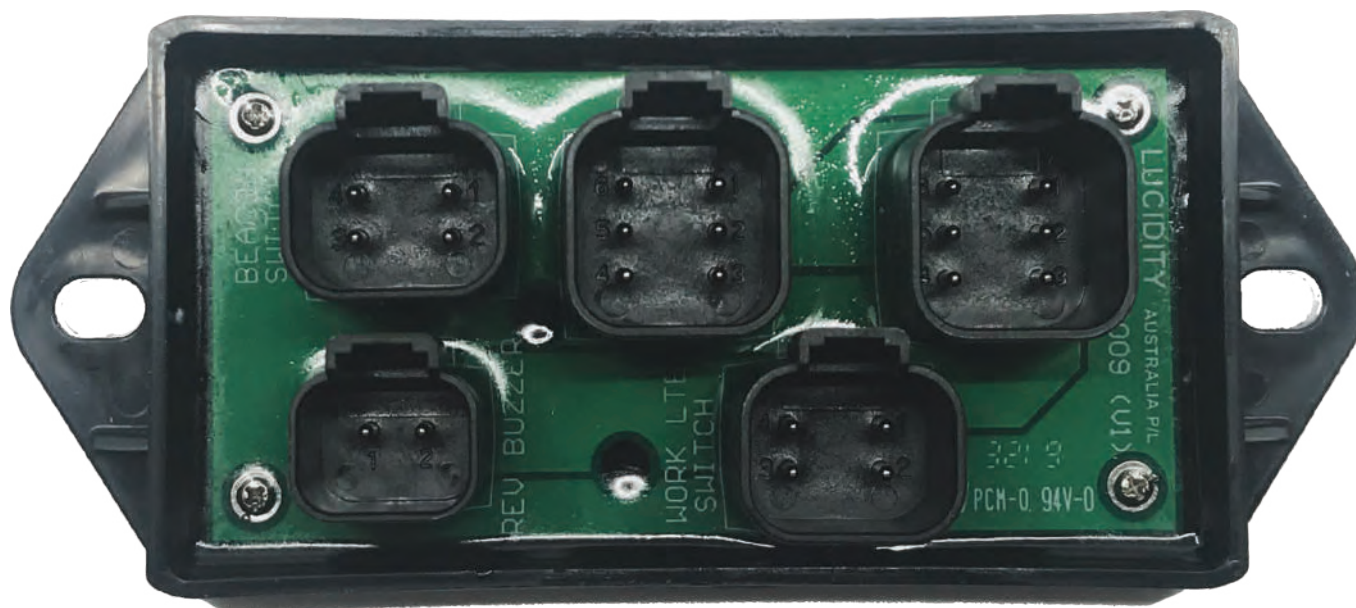
- 1 = AUX
- 2 = PARK
- 3 = NC
- 4 = NC

CN1

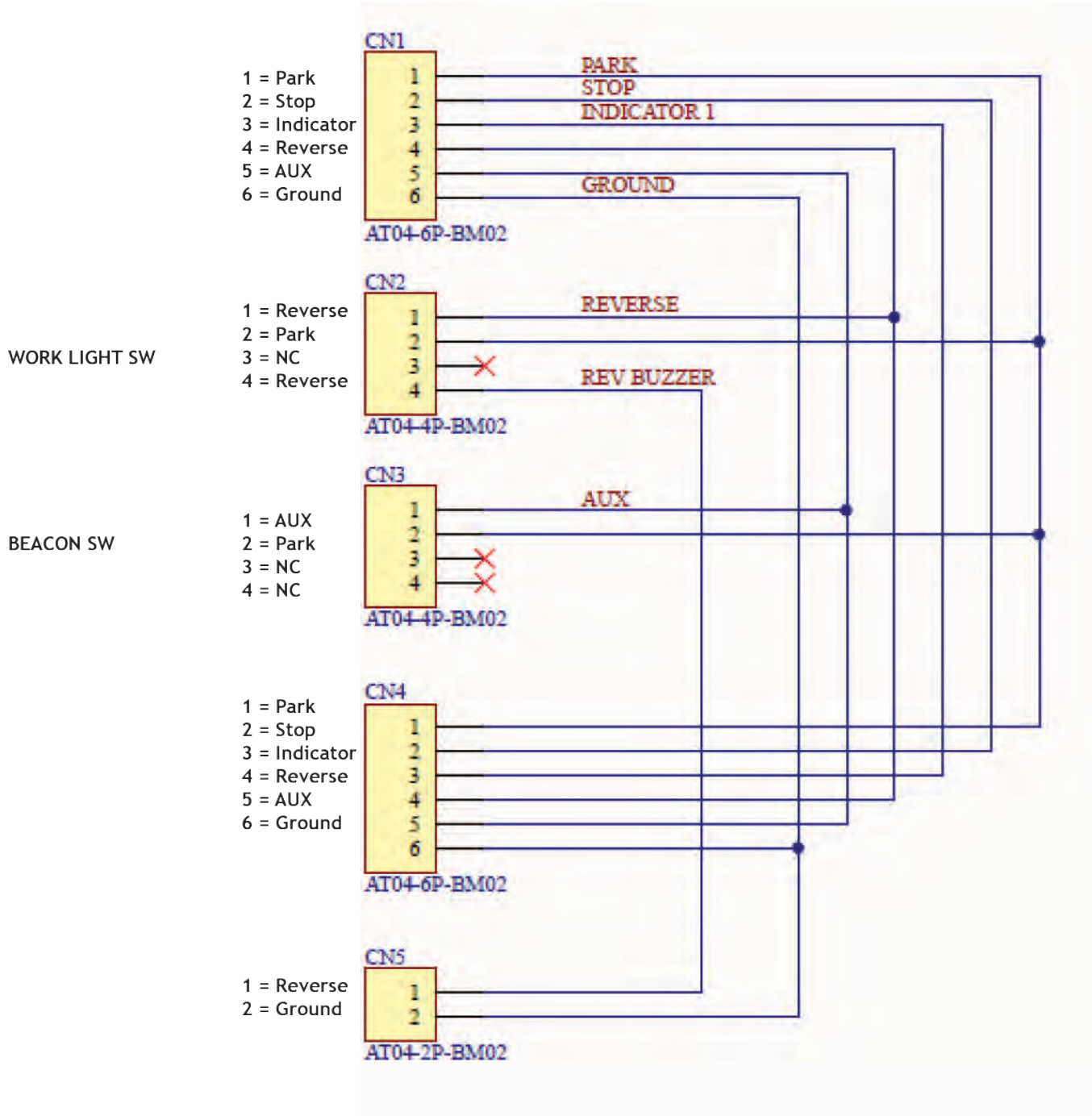
- 1 = PARK
- 2 = STOP
- 3 = INDICATOR
- 4 = REVERSE
- 5 = AUX
- 6 = GROUND

CN4

- 1 = PARK
- 2 = STOP
- 3 = INDICATOR
- 4 = REVERSE
- 5 = AUX
- 6 = GROUND



PCB Schematic



Part NO. 3970035

Common Applications Universal Bumper Lighting

Input

CN3

- 1 = PARK
- 2 = STOP
- 3 = LEFT INDICATOR
- 4 = REVERSE
- 5 = NC
- 6 = GROUND

CN1

- 1 = GROUND
- 2 = PARK
- 3 = STOP
- 4 = RIGHT INDICATOR
- 5 = LEFT INDICATOR
- 6 = REVERSE

CN2

- 1 = PARK
- 2 = STOP
- 3 = RIGHT INDICATOR
- 4 = REVERSE
- 5 = NC
- 6 = GROUND



CN4

- 1 = PARK
- 2 = GROUND

CN5

- 1 = PARK
- 2 = GROUND

CN6

- 1 = PARK
- 2 = GROUND

CN7

- 1 = PARK
- 2 = GROUND

CN8

- 1 = GROUND
- 2 = PARK
- 3 = GROUND
- 4 = REVERSE



PCB Schematic



6 WAY FROM DUAL SOCKET ADAPTOR

- 1 = Ground
- 2 = Park
- 3 = Stop
- 4 = Right Indicator
- 5 = Left Indicator
- 6 = Reverse

RIGHT SIDE

- 1 = Park
- 2 = Stop
- 3 = Right Indicator
- 4 = Reverse
- 5 = NC
- 6 = Ground

LEFT SIDE

- 1 = Park
- 2 = Stop
- 3 = Left Indicator
- 4 = Reverse
- 5 = NC
- 6 = Ground

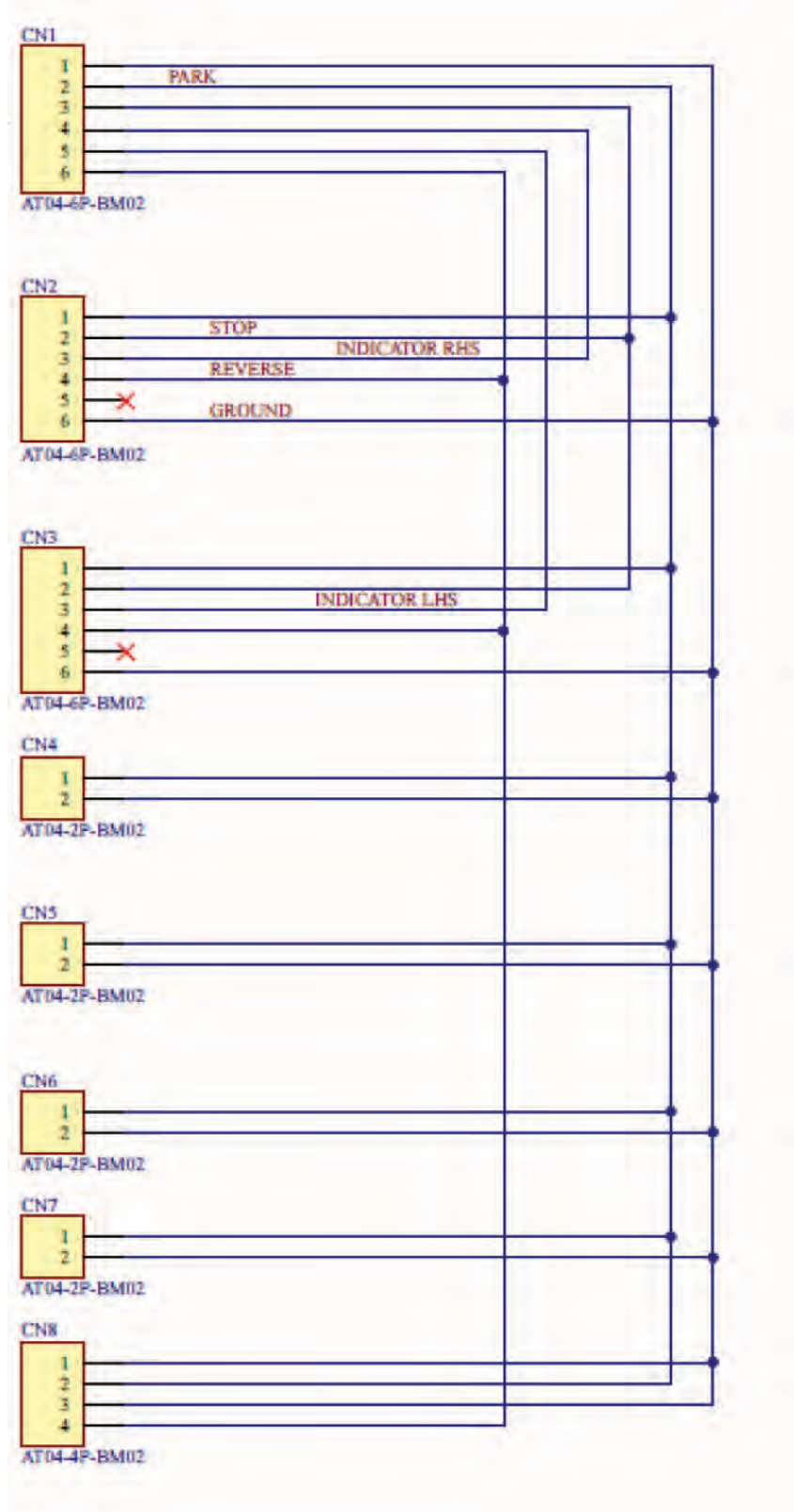
- 1 = Park
- 2 = Ground

- 1 = Park
- 2 = Ground

- 1 = Park
- 2 = Ground

- 1 = Park
- 2 = Ground

- 1 = Ground
- 2 = Park
- 3 = Ground
- 4 = Reverse



Part NO.

Common Applications

3970085

Ramp Interface

CN8

1 = AUX
2 = EARTH

CN7

1 = REV
2 = EARTH

CN4

1 = Buzzer
2 = EARTH

CN6

1 = Park
2 = EARTH



CN3

1 = AUX
2 = PARK
3 = NC
4 = NC

CN2

1 = REV
2 = PARK
3 = NC
4 = REV BUZZ

CN5

1 = PARK
2 = STOP
3 = IND
4 = EARTH
5 = NC
6 = EARTH

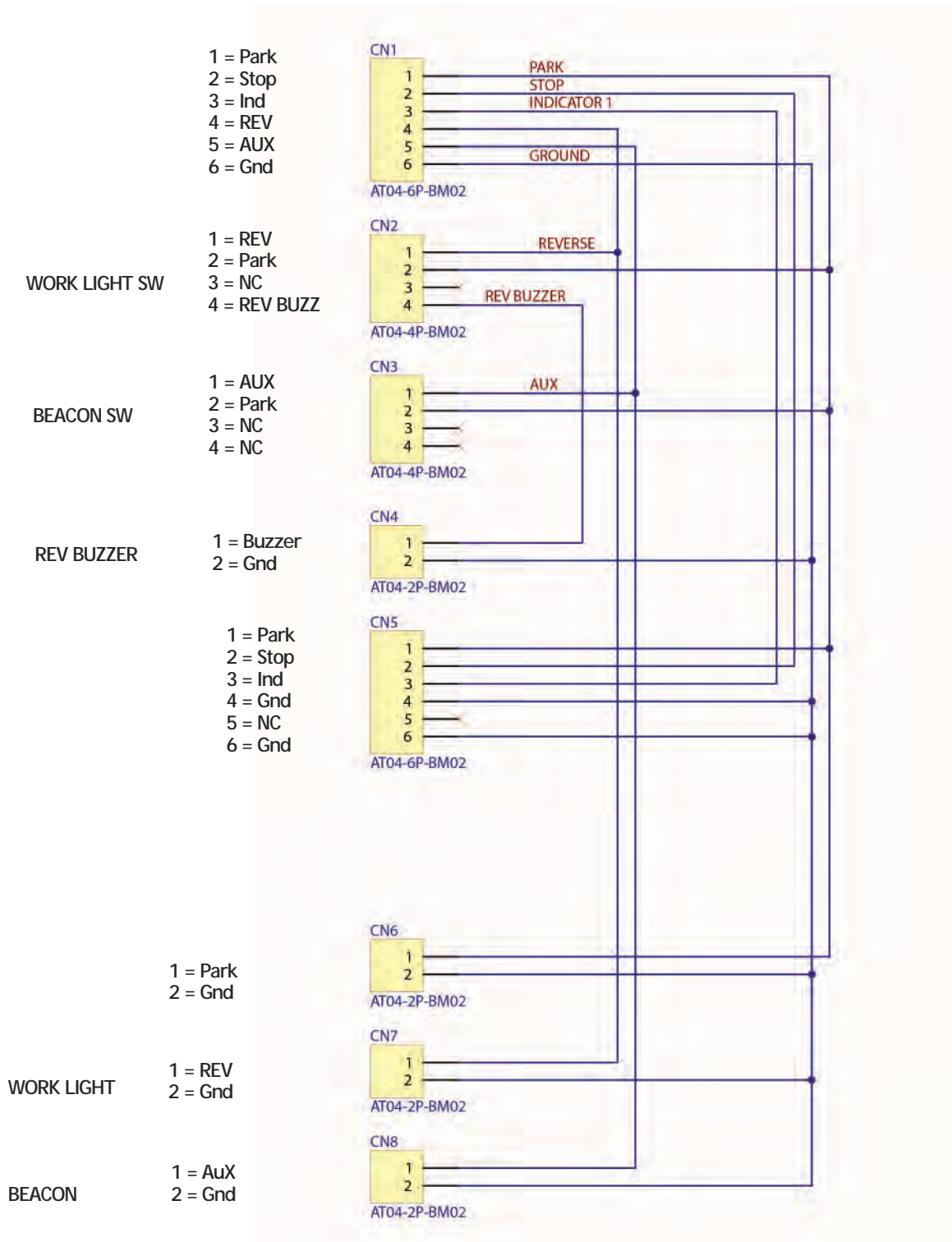
CN1

1 = PARK
2 = STOP
3 = IND
4 = REV
5 = AUX
6 = EARTH

Input



PCB Schematic



Part NO.
3970086

Common Applications
Tail gate dog tipper

Input

CN6

1 = WORK LIGHT
 2 = EARTH

CN5

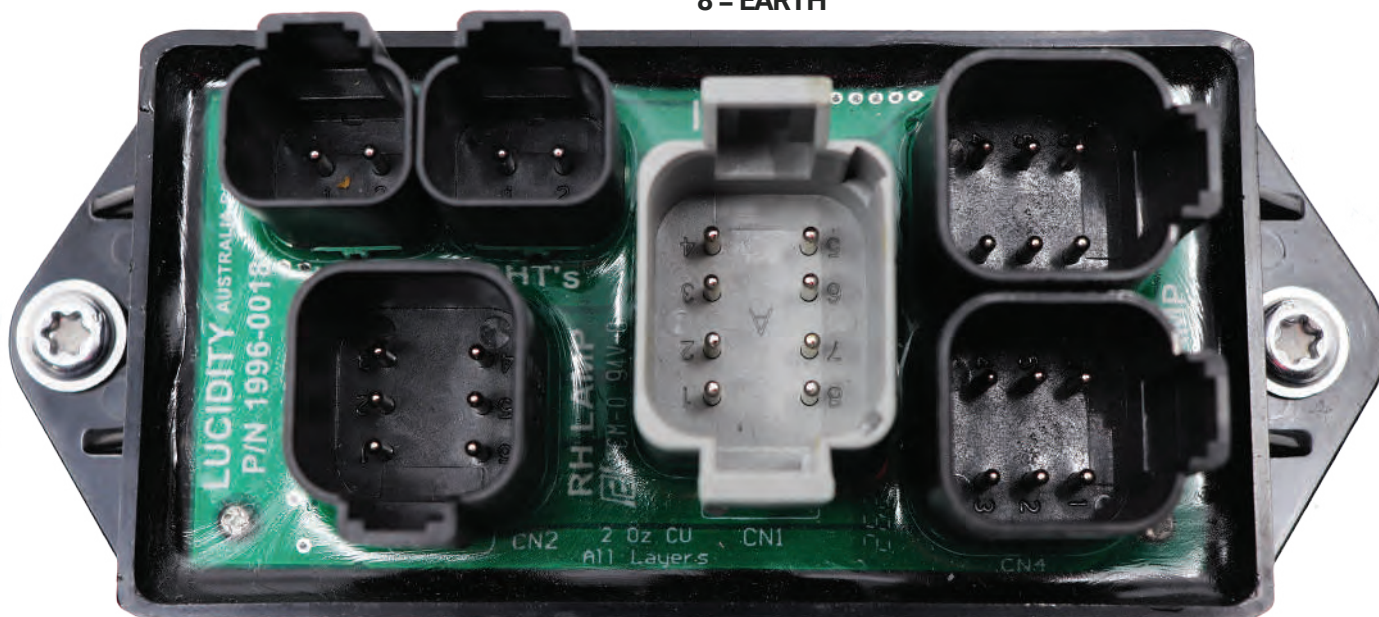
1 = WORK LIGHT
 2 = EARTH

CN1

1 = LEFT IND
 2 = REV
 3 = EARTH
 4 = RH IND
 5 = WORK LIGHT
 6 = STOP
 7 = PARK
 8 = EARTH

CN3

1 = PARK
 2 = STOP
 3 = LH IND
 4 = REVERSE
 5 = RH IND
 6 = EARTH



CN2

1 = PARK
 2 = STOP
 3 = RH IND
 4 = REVERSE
 5 = LH IND
 6 = EARTH

CN4

1 = PARK
 2 = STOP
 3 = LH IND
 4 = REVERSE
 5 = RH IND
 6 = EARTH



PCB Schematic



- 1 = YE LEFT IND
- 2 = BK-REV
- 3 = EARTH
- 4 = GR-RH IND
- 5 = BL-WORK LIGHT
- 6 = RE-STOP
- 7 = BR-PARK
- 8 = EARTH



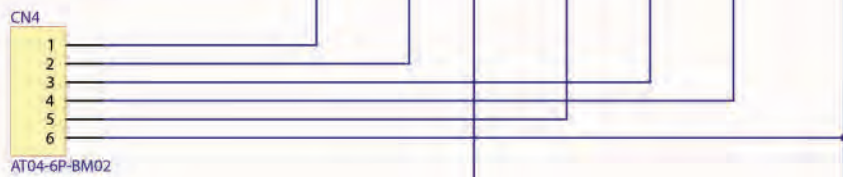
- 1 = BR-PARK
- 2 = RE-STOP
- 3 = GR-RH IND
- 4 = BK-REVERSE
- 5 = YE-LH IND
- 6 = WH-EARTH



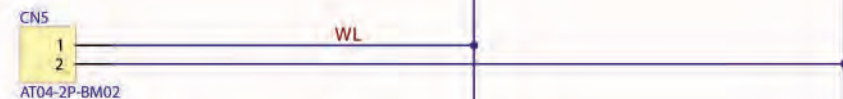
- 1 = BR-PARK
- 2 = RE-STOP
- 3 = YE-LH IND
- 4 = BK-REVERSE
- 5 = GR-RH IND
- 6 = WH-EARTH



- 1 = BR-PARK
- 2 = RE-STOP
- 3 = YE-LH IND
- 4 = BK-REVERSE
- 5 = GR-RH IND
- 6 = WH-EARTH



- 1 = WORK LIGHT
- 2 = EARTH



- 1 = WORK LIGHT
- 2 = EARTH



Part NO. 3970069

Common Applications Rear Lighting

Input

CN3

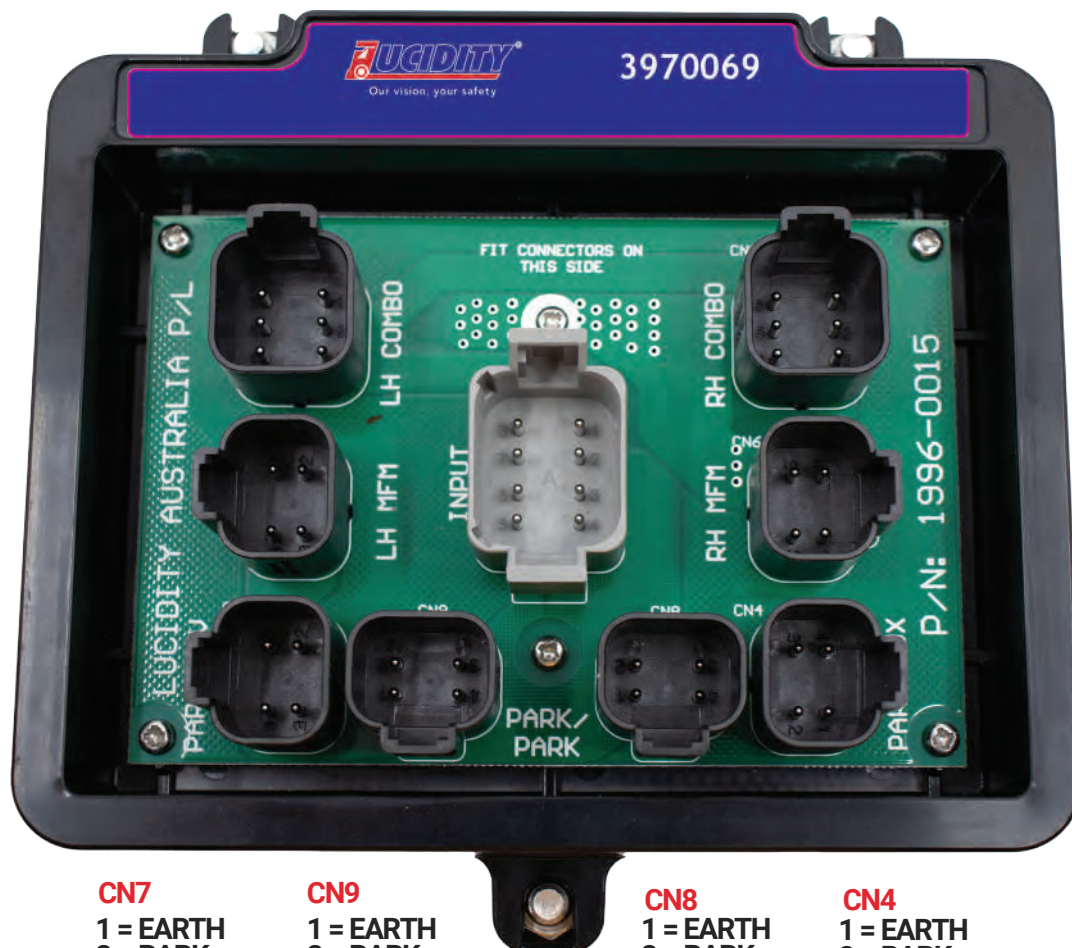
- 1 = PARK
- 2 = STOP
- 3 = LH IND
- 4 = REVERSE
- 5 = RH IND
- 6 = EARTH

CN1

- 1 = LEFT IND
- 2 = REV
- 3 = EARTH
- 4 = RH IND
- 5 = AUX
- 6 = STOP
- 7 = PARK
- 8 = EARTH

CN2

- 1 = PARK
- 2 = STOP
- 3 = RH IND
- 4 = REVERSE
- 5 = LH IND
- 6 = EARTH



CN5

- 1 = EARTH
- 2 = PARK
- 3 = EARTH
- 4 = LH IND

CN6

- 1 = EARTH
- 2 = PARK
- 3 = EARTH
- 4 = RH IND

CN7

- 1 = EARTH
- 2 = PARK
- 3 = EARTH
- 4 = REVERSE

CN9

- 1 = EARTH
- 2 = PARK
- 3 = EARTH
- 4 = PARK

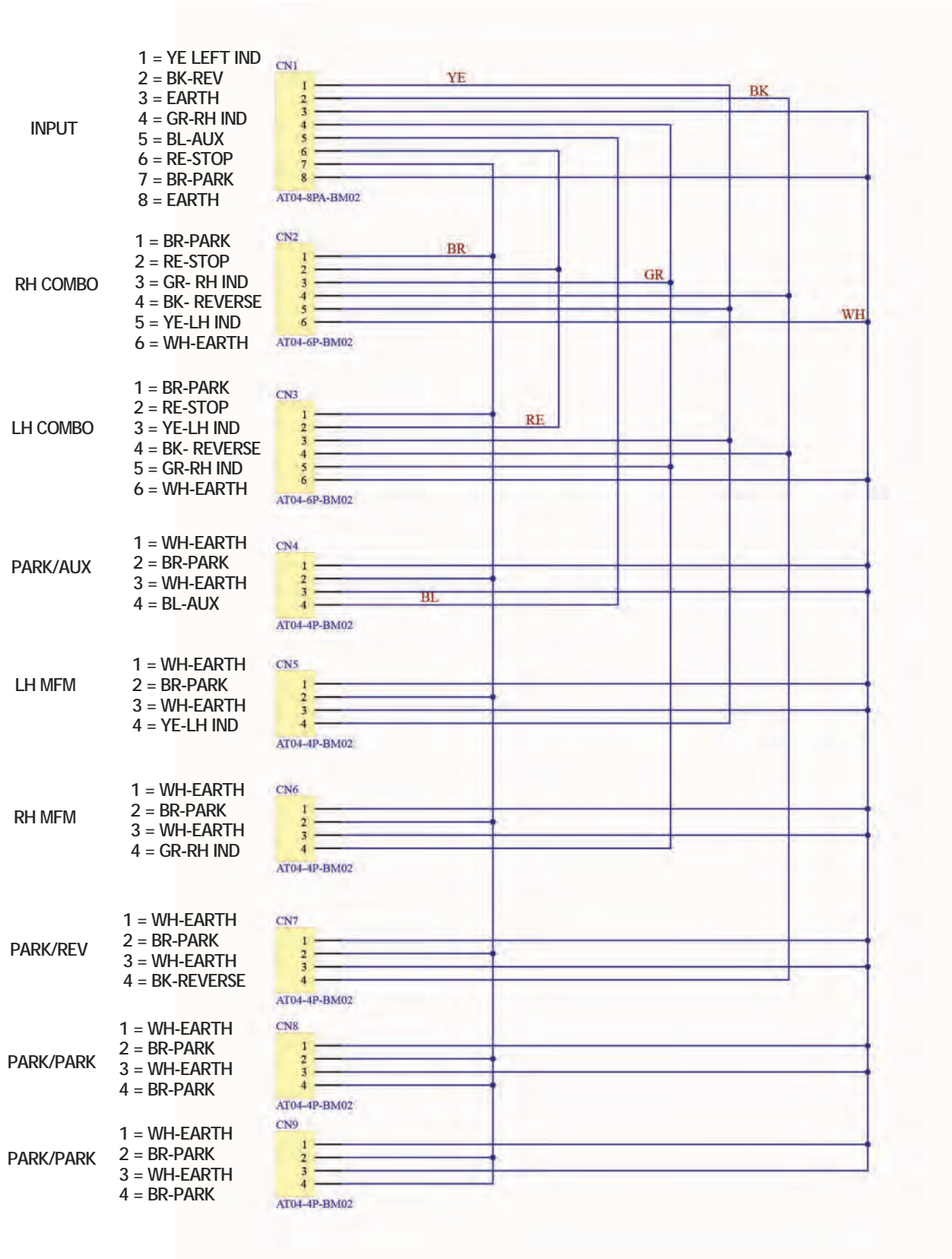
CN8

- 1 = EARTH
- 2 = PARK
- 3 = EARTH
- 4 = PARK

CN4

- 1 = EARTH
- 2 = PARK
- 3 = EARTH
- 4 = AUX

PCB Schematic



Part NO. 3970088

Common Applications Front IDM

Input

CN1

- 1 = LEFT IND
- 2 = REV
- 3 = EARTH
- 4 = RH IND
- 5 = AUX
- 6 = STOP
- 7 = PARK
- 8 = EARTH

CN2

- 1 = LEFT IND
- 2 = REV
- 3 = EARTH
- 4 = RH IND
- 5 = AUX
- 6 = STOP
- 7 = PARK
- 8 = EARTH

Input

CN3

- 1 = LEFT IND
- 2 = REV
- 3 = EARTH
- 4 = RH IND
- 5 = AUX
- 6 = STOP
- 7 = PARK
- 8 = EARTH



CN6

- 1 = EARTH
- 2 = PARK
- 3 = STOP
- 4 = RH TURN
- 5 = LH TURN
- 6 = AUX

CN5

- 1 = EARTH
- 2 = PARK
- 3 = EARTH
- 4 = PARK

CN4

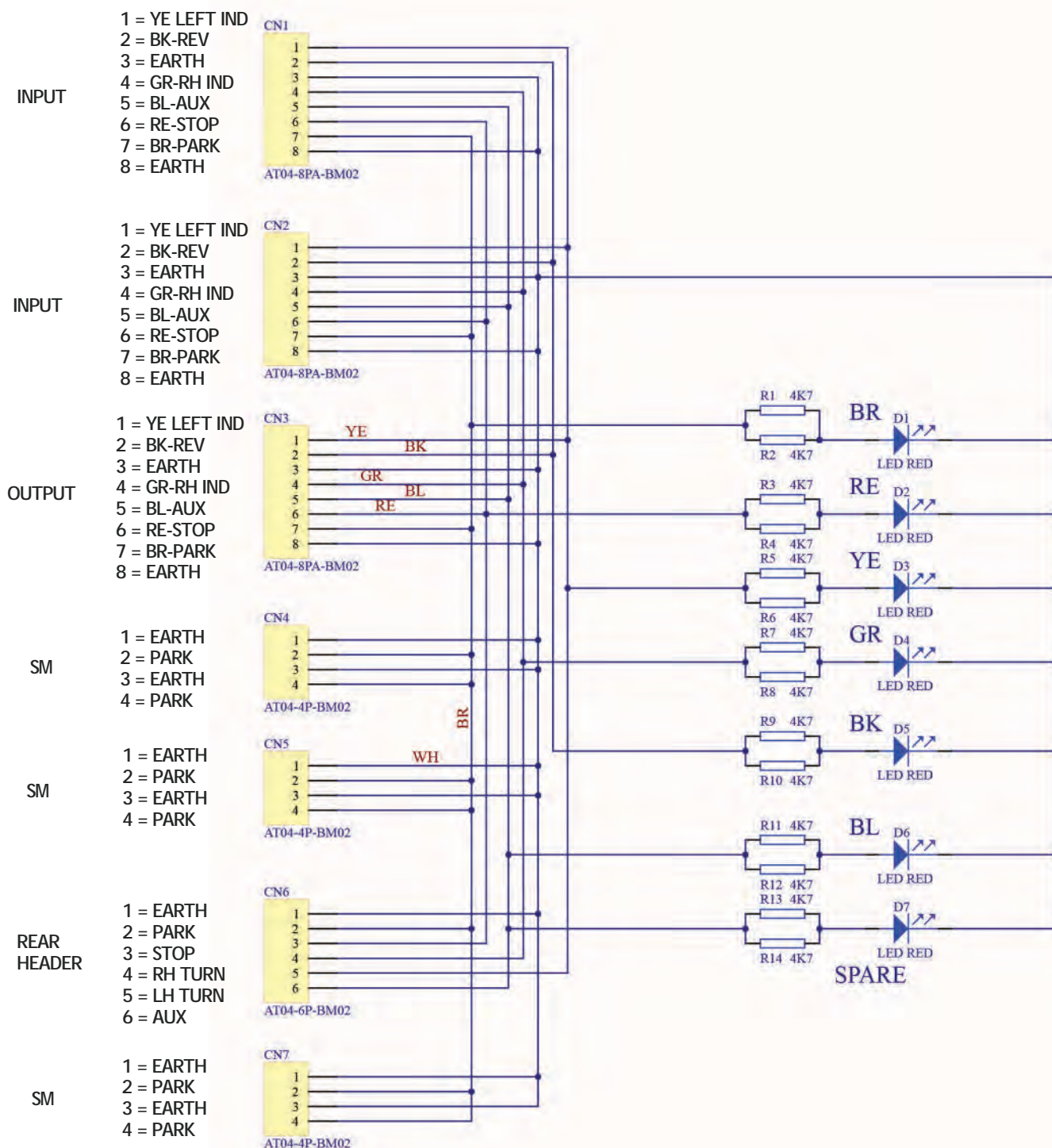
- 1 = EARTH
- 2 = PARK
- 3 = EARTH
- 4 = PARK

CN7

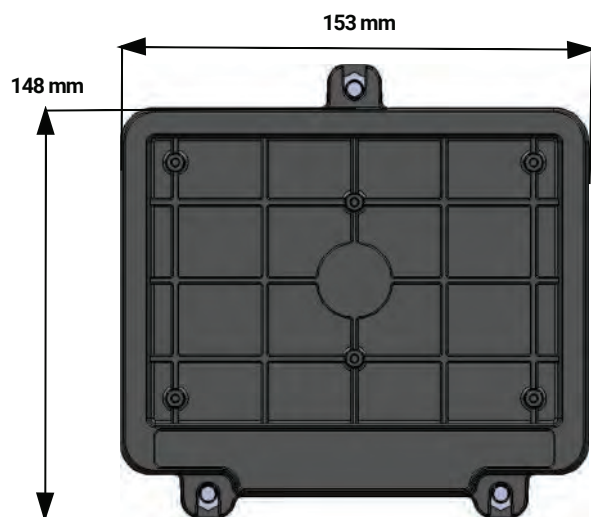
- 1 = EARTH
- 2 = PARK
- 3 = EARTH
- 4 = PARK

Note: Option to include diagnostic LED

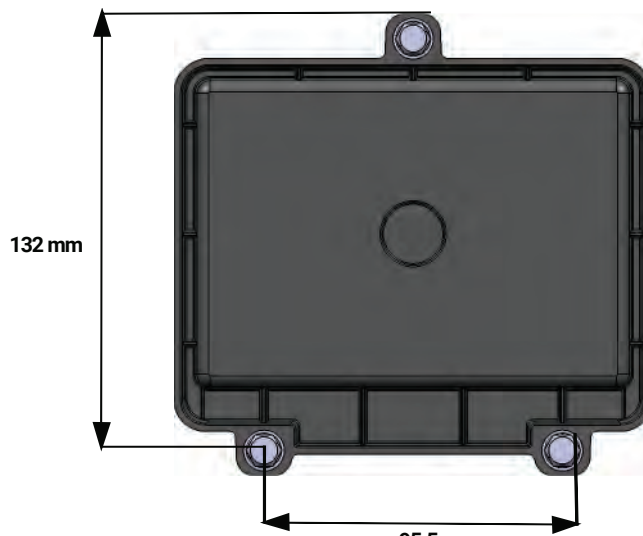
PCB Schematic



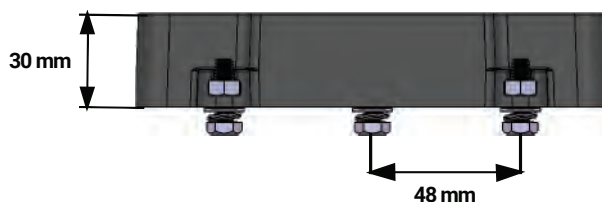
Dimensions



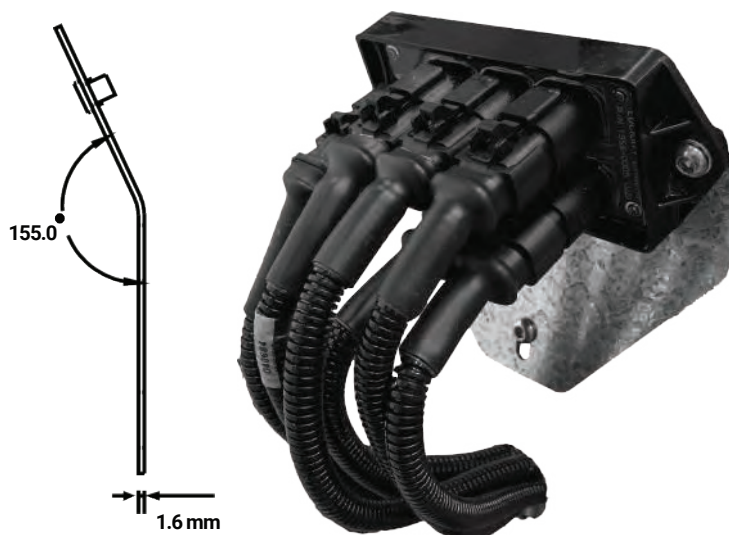
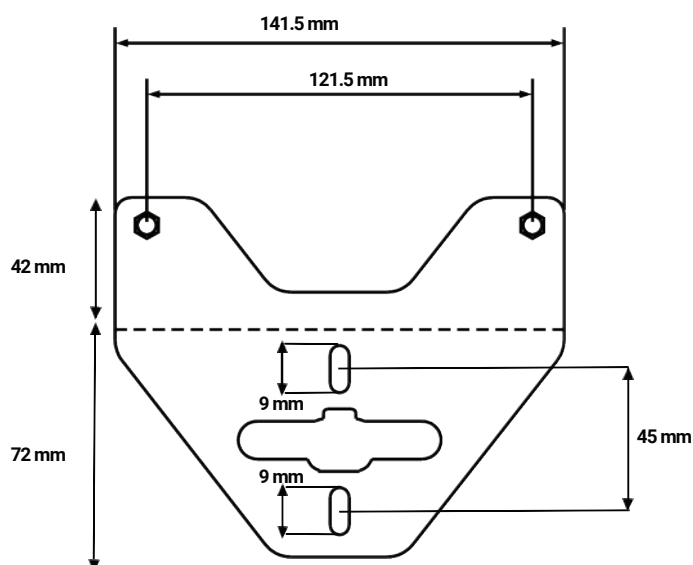
Front View

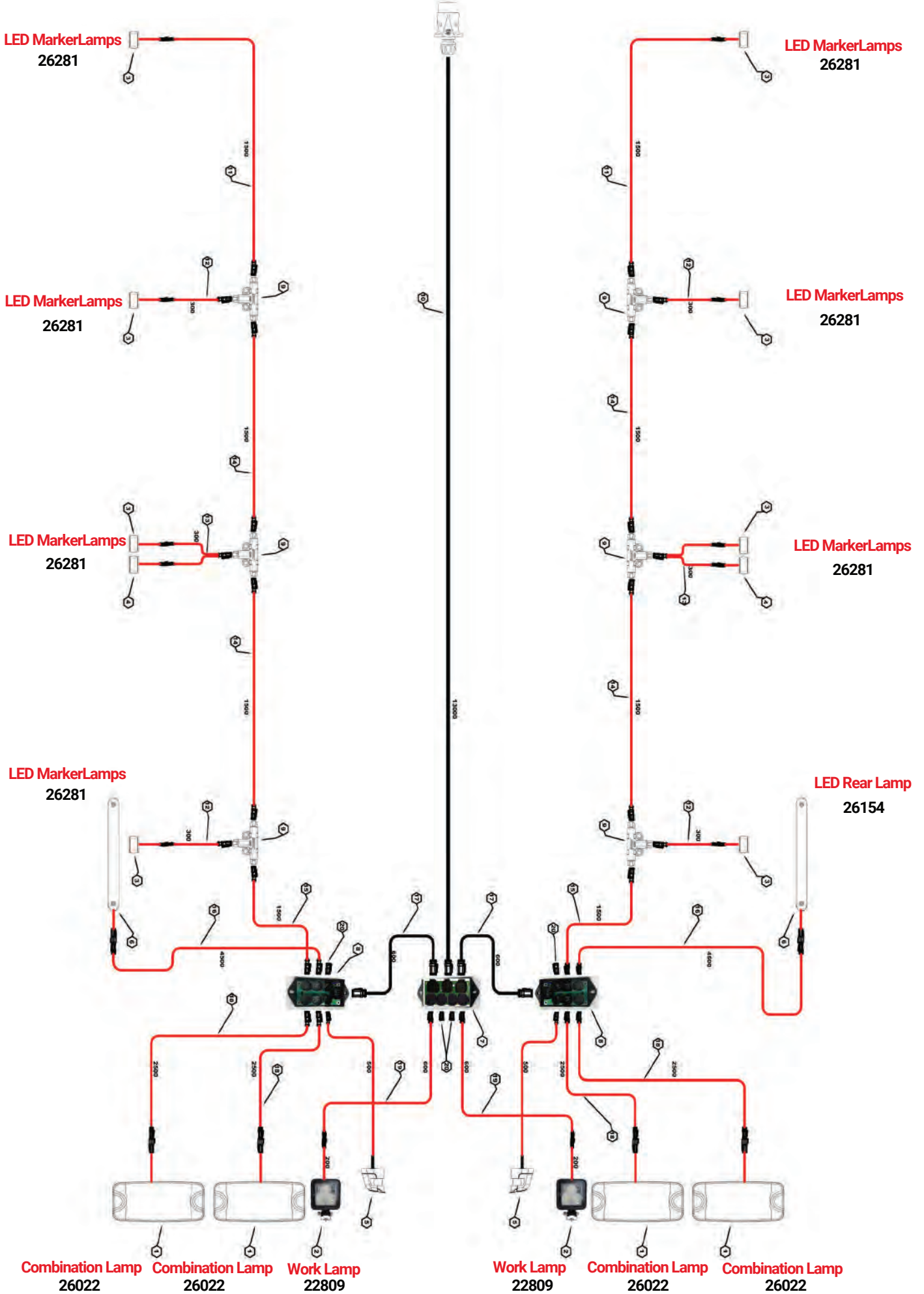


Back View

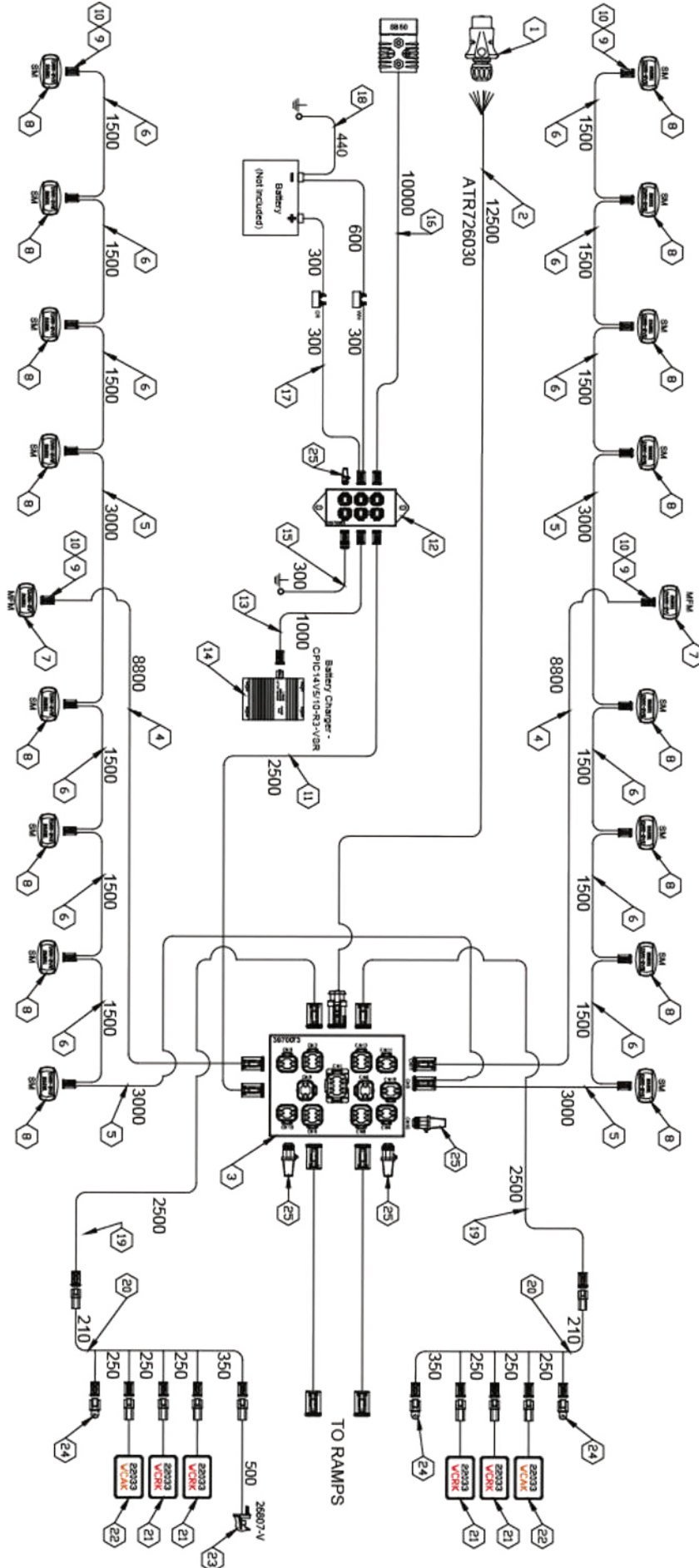


Bottom View





LOW LOADER WITH RAMPS





Scan me!
Lucidity website

 **+61 3 9219 4074**

 **sales@lucidityaustralia.com.au**

 **www.lucidityaustralia.com.au**

 **37 Paraweena Drive, Truganina, VIC, 3029**