

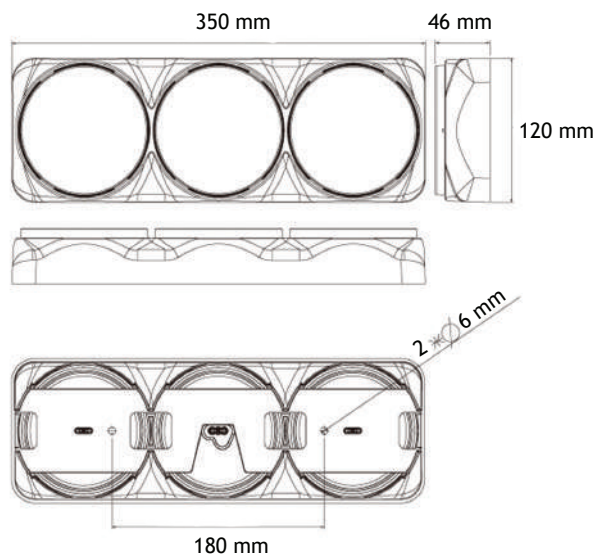
34013 Series LED Rear Combination Lamps



34013ARR-VBL



34013ARR-BVBL



Part No.	Voltage	Housing	Stop	Tail	* D.I.	Wiring	Packaging
34013ARR-VBL	12-24V	Chrome	✓	✓	✓	230mm Fly Lead	Blister Packed
34013ARR-BVBL	12-24V	Black	✓	✓	✓	230mm Fly Lead	Blister Packed
34013ARR-BVBL	12-24V	Black	✓	✓	✓	230mm Fly Lead	Blister Packed

*D.I : Direct Indicator