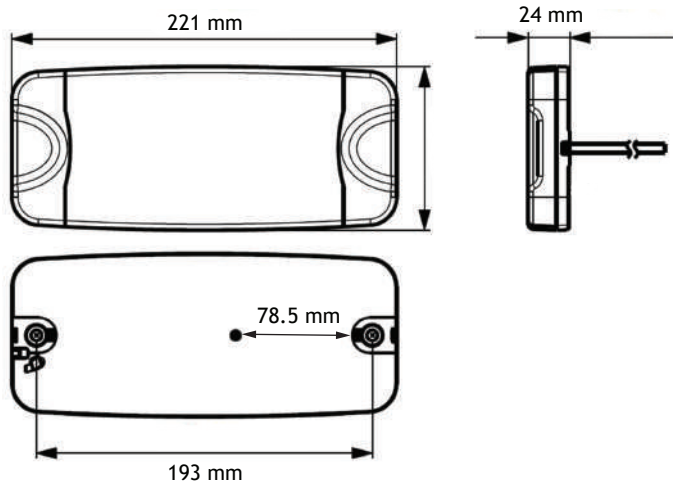


26059 Series LED Rear Combination Lamps



Part No.	Voltage	Stop	Tail	* D.I.	Wiring	Packaging
26059CAR-VBL	12-24V	✓	✓	✓	310mm Fly Lead	Blister Packed

*D.I : Direct Indicator