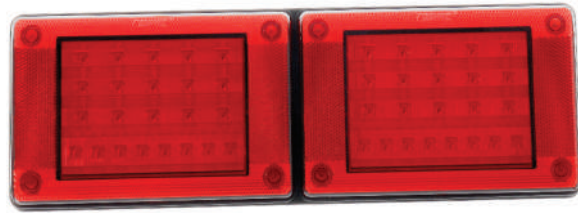


LED Rear Combination Lamps with Moulded Deutsch Connector



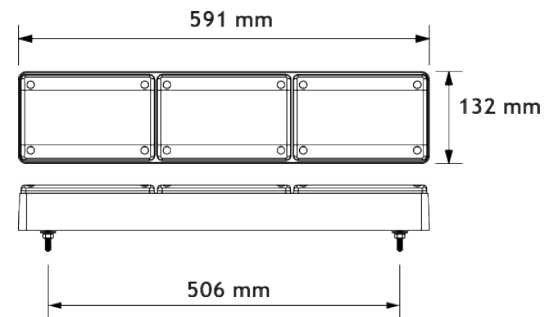
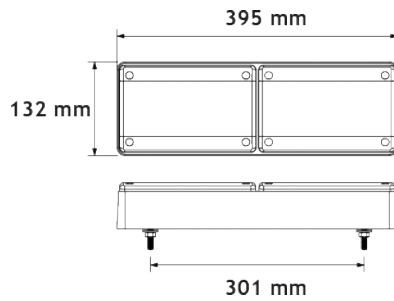
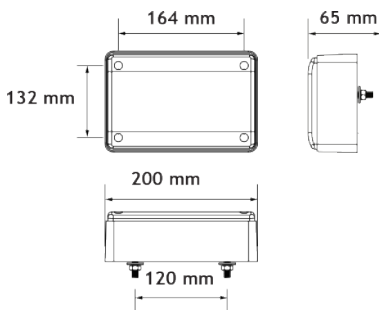
26026RAP2-BV



26026ARP2-BV



26026ARRP2-BV



| Part No. | Voltage | Stop | Tail | * D.I. | Reflex | Wiring | Packaging |
|---------------|-----------------------------------|---|------|--------|------------|----------------------------|-----------|
| 26026RAP2-BV | 12-24V | ✓ | ✓ | ✓ | ✓ | Moulded Deutsch Connectors | Boxed |
| 26026ARP2-BV | 12-24V | ✓ | ✓ | ✓ | ✓ | Moulded Deutsch Connectors | Boxed |
| 26026ARRP2-BV | 12-24V | ✓ | ✓ | ✓ | ✓ | Moulded Deutsch Connectors | Boxed |
| Spare Parts | | | | | | | |
| 26026RAK-VBL | 12-24V | Stop/Tail Indicator Insert Only (Red/Amber) | | | Hard Wired | Blister Packed | |
| 3370168 | Adaptor Harness Kit to Suit 26026 | | | | | | |
| 136901002011 | 4 Way Cavity Plug | | | | | | |